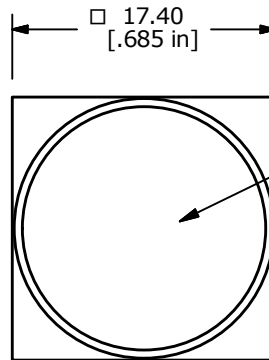
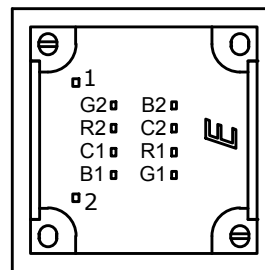
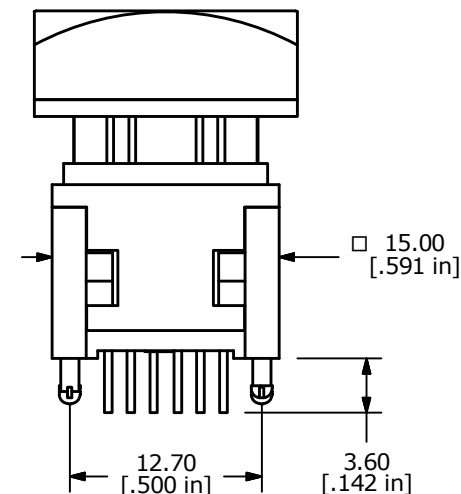
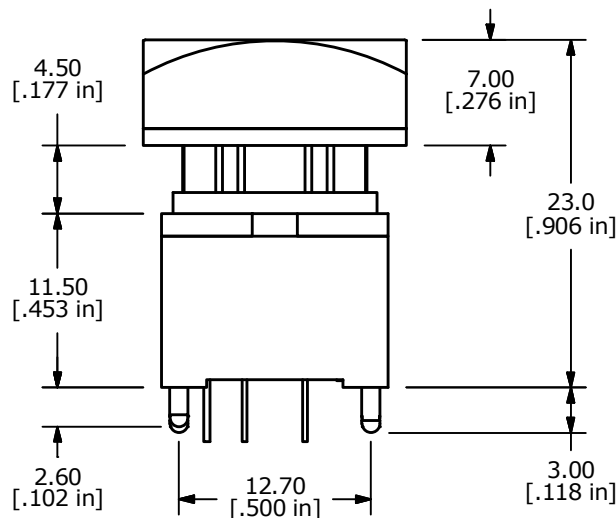
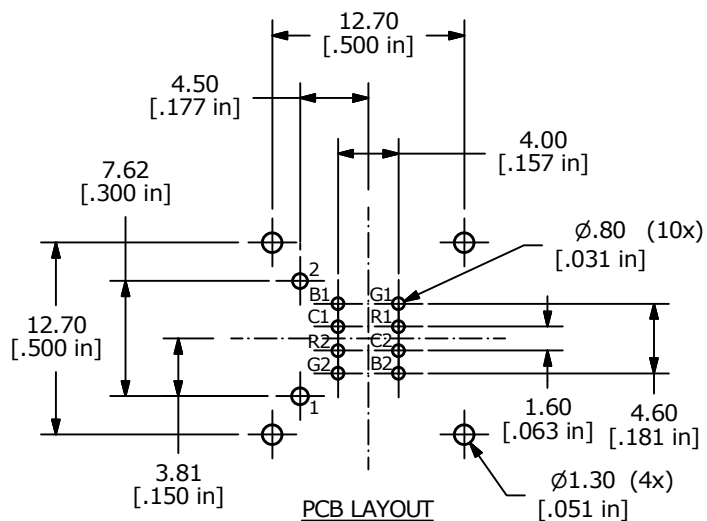


LED SCHEMATIC



▲ LED COLOR:  
RED / GREEN / BLUE



- NOTES:
1. ALL DIMENSIONS IN MM [INCH]
  2. GENERAL TOLERANCE: X.X = ± 0.4  
X.XX = ± 0.25
  3. TERM. NOS. FOR REFERENCE ONLY.
  4. RATING: 12VDC, 100mA
  5. CONTACT MATERIAL: GOLD PLATED
  6. CONTACT RESISTANCE: 200 mΩ MAX.
  7. INSULATION RESISTANCE: 500VDC, 100 MΩ MIN.
  8. OPERATING FORCE: 200 ± 80gf
  9. MECHANICAL LIFE: 2,000,000 CYCLES
  10. OPERATING TEMP: -40°C TO +85°C
  - ▲ 11. LED COLORS: RED / GREEN / BLUE
  12. TRAVEL: 4.50mm±0.20
  13. 2002/95/EC (ROHS) COMPLIANT
  14. ▲ DENOTES CRITICAL PARAMETER.
  - ▲ 15. SWITCH HAS TACTILE FEEDBACK WHEN ACTUATED

LED SPECS	UNITS	RED	GREEN	BLUE
FORWARD CURRENT	mA	20	20	20
FORWARD VOLTAGE @20mA	V	2.1-2.5	3.2-4.0	3.1-3.8
LUMINOUS INTENSITY @20mA	MCD	1000	1600	400



A	22360	INITIAL RELEASE	6/21/16	MW
REV	PCR NO	DESCRIPTION	DATE	BY

TITLE LP110A1TC SRGB				
SCALE	DATE	DR	DWG	REV
2:1	6/20/2016	MW	B231021	A

THE INFORMATION CONTAINED IN THIS DOCUMENT IS PROPRIETARY TO E-SWITCH AND IS NOT TO BE COPIED OR TRANSFERRED