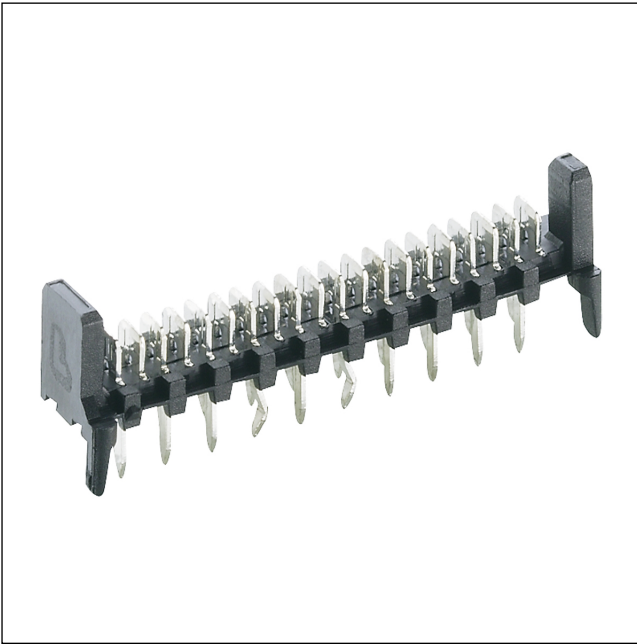


30 MICS

Micromodul™ connectors, pitch 1.27 mm



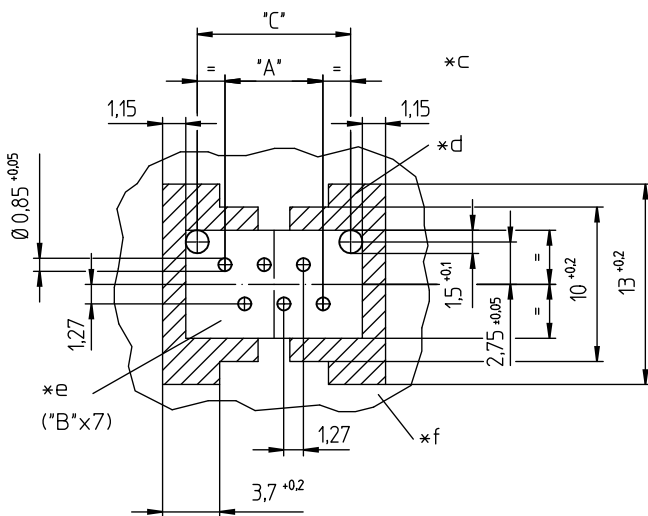
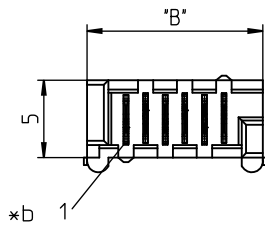
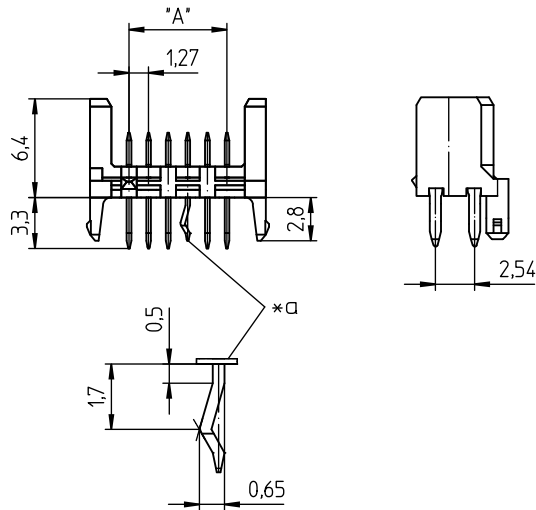
Micromodul™ tab header, upright, MICS: with retaining hooks, solder contacts dual row staggered

State: Active

Approvals:



30 MICS



Environmental conditions

Temperature range -40 °C/+140 °C¹

¹ upper limit temperature (insulating body) RTI (electrical) of the UL Yellow Card

Materials

Insulating body PA GF, V-0 according to UL94
 Contact tab CuZn, pre-nickel and tin-plated – MICS
 CuZn, pre-nickel and gold-plated – MICS AU

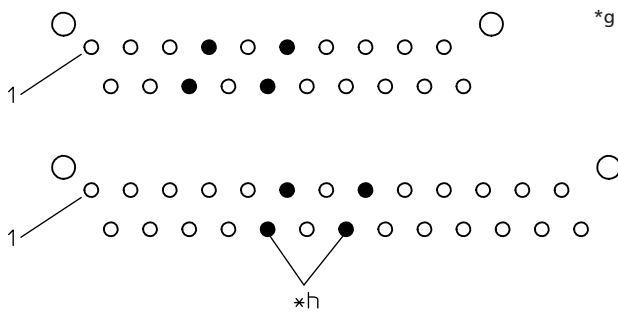
Mechanical data

Expression force contact tab from insulating body ≥ 7 N/contact

Electrical data (at T_{amb} 20 °C)

Rated current 1,2 A
 Rated voltage 160 V AC
 (250 V AC ohne Berücksichtigung der Kriech- und Luftstrecken nach IEC 60664/DIN EN 60664)
 Material group I (IEC)/0 (UL) (CTI ≥ 600)
 Creepage distance 0,97 mm
 Clearance 0,97 mm
 Insulation resistance > 1 GΩ

30 MICS



- *a cranked solder contact (from 20 poles on), all cranked on request
- *b contact 1
- *c printed circuit board layout, solder side view
- *d necessary space for use of pull-off tongs AZ30
- *e component area (B x 7)
- *f recommended thickness of circuit board 1.5 ± 0.14 mm
- *g printed circuit board layout, solder side view, for pole numbers 20 and 26, with bore holes for cranked solder contacts
- *h bore hole for cranked solder contact

30 MICS

Designation	Pole Number	PU (Pieces)	MDQ (Pieces)	Dimensions		
				A (mm)	B (mm)	C (mm)
MICS 04	4	1000	2000	3.81	8.86	7.41
MICS 06	6	1000	2000	6.35	11.40	9.95
MICS 08	8	1000	2000	8.89	13.94	12.49
MICS 10	10	1000	2000	11.43	16.48	15.03
MICS 12	12	500	2000	13.97	19.02	17.57
MICS 14	14	500	2000	16.51	21.56	20.11
MICS 16	16	500	1000	19.05	24.10	22.65
MICS 18	18	500	1000	21.59	26.64	25.19
MICS 20	20	500	1000	24.13	29.18	27.73
MICS 26	26	500	1000	31.75	36.80	35.35
MICS 04 0,8 AU	4	1000	2000	3.81	8.86	7.41
MICS 06 0,8 AU	6	1000	2000	6.35	11.40	9.95
MICS 08 0,8 AU	8	1000	2000	8.89	13.94	12.49
MICS 10 0,8 AU	10	1000	2000	11.43	16.48	15.03
MICS 20 0,8 AU	20	500	1000	24.13	29.18	27.73

Packaging:

in bulk, in a cardboard box