

ET-16DO2 EtherTRAK® Ethernet I/O Module

Sixnet Automation Series



▶▶▶ Ethernet I/O Module – Discrete Outputs

PRODUCT HIGHLIGHTS

- High density outputs save space
- Isolation protects the Ethernet network
- Time proportioned outputs for variable control
- Surge suppressors safely clamp inductive loads

PERFORMANCE SPECIFICATIONS

- 16 output channels
- Output range 10 - 30 VDC
- Max. output current per channel 1 Amp
- Max. output current (entire module) 8 Amps
- Max. OFF state leakage current 0.05 mA
- Min. load current per channel 0.1 mA
- Inrush current (100 mS surge) 5 Amps
- Typical ON resistance 0.3 Ohms
- Typical ON voltage (@ 1 Amp) 0.3 VDC
- Time proportioned outputs¹ configurable for each channel
- Fastest scan rate (16 channels) 2 mS
- Required supply voltage 10-30 VDC (0.75 watt typical)
- Operating temperature range -30 to 70° C
- Storage temperature range -40 to 85° C
- Humidity (non-condensing) 5 to 95%

RS485 PORT FOR I/O EXPANSION

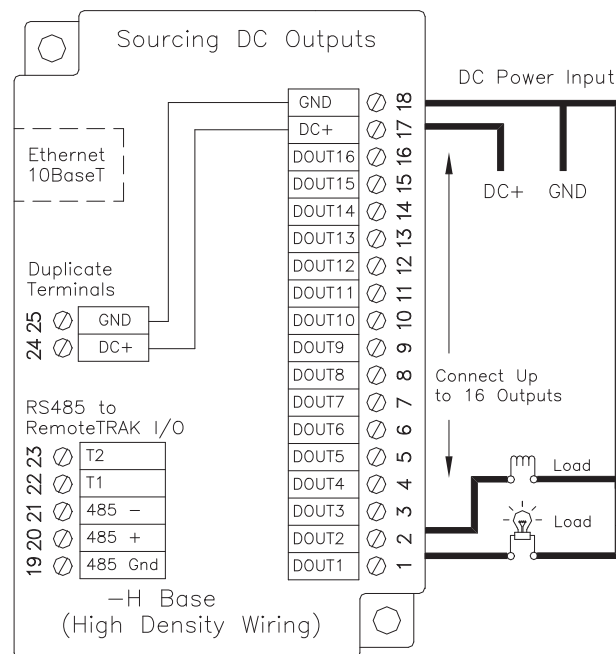
- 32 Max. RS485 stations (up to 512 I/O)
- Baud rate: 38,400 bps
- Recommended distance of up to 0.5 mile
- Protocol: Sixnet "I/O for Windows", Modbus ASCII & RTU
- Isolation (from Ethernet port) 1200 Volts RMS 1 minute

¹ Time proportioned outputs control the duty cycle of the output in proportion to an analog output register value. The cycle time and minimum pulse time are configurable.

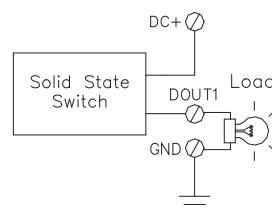
ORDERING INFORMATION

- ET-16DO2-H 16 outputs with wiring base
- ET-16DO2-M Replacement module only

All specifications are subject to change. Consult factory for latest info.



Equivalent DC Output Circuit (Sourcing only)



www.redlion.net

Connect. Monitor. Control.

Americas
sales@redlion.net

Asia-Pacific
asia@redlion.net

Europe
Middle East
Africa
europe@redlion.net

+1 (717) 767-6511

As the global experts in communication, monitoring and control for industrial automation and networking, Red Lion has been delivering innovative solutions for over forty years. Our award-winning technology enables companies worldwide to gain real-time data visibility that drives productivity. Product brands include Red Lion, N-Tron and Sixnet. With headquarters in York, Pennsylvania, the company has offices across the Americas, Asia-Pacific and Europe. For more information, please visit www.redlion.net. Red Lion is a Spectris company.