

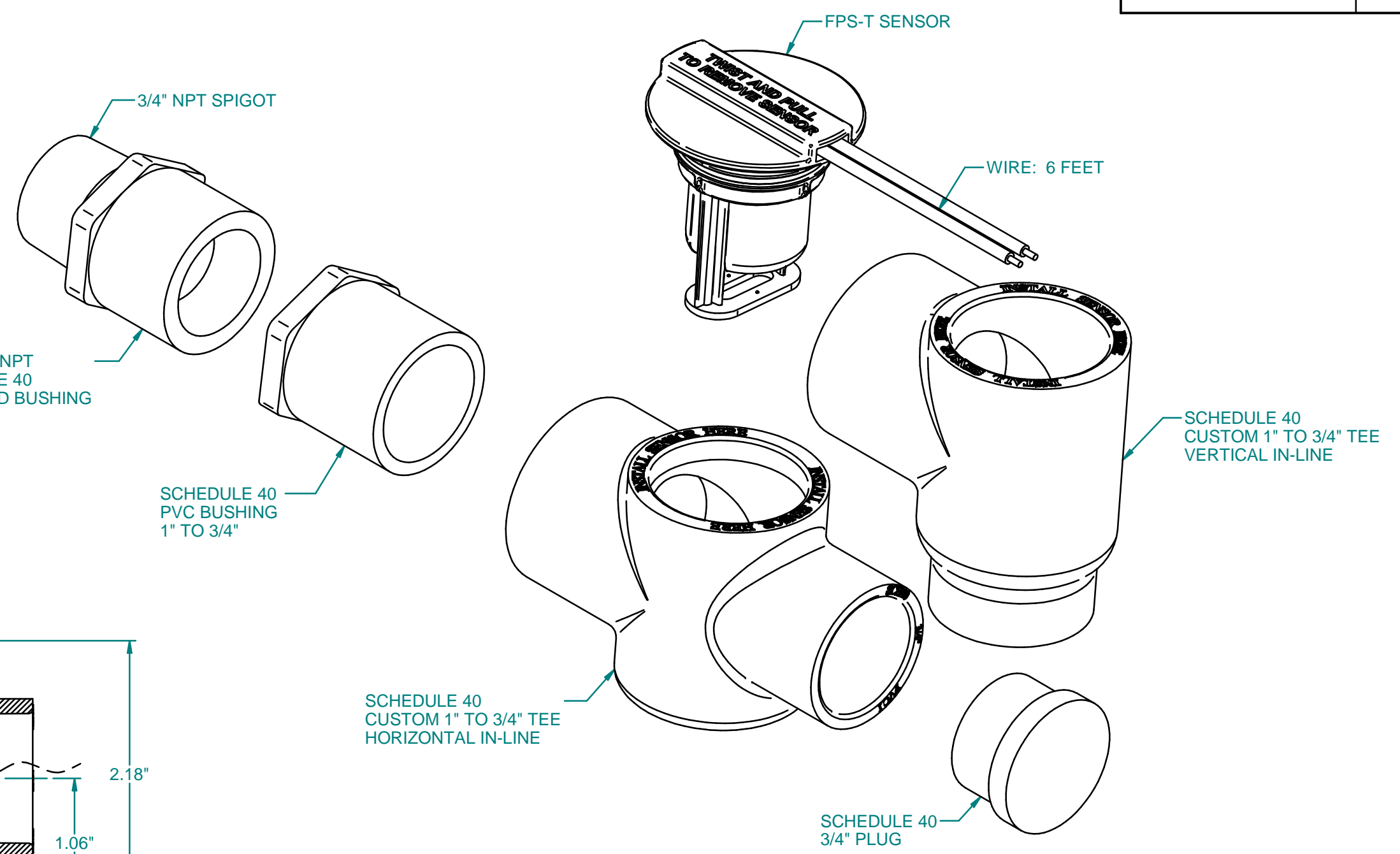
BOM FOR PACKAGE	
ITEM	QTY.
SENSOR	1
TEE, HORIZONTAL	1
TEE, VERTICAL	1
BUSHING	1
SPIGOT	1
NPT BUSHING	1
PLUG	1
WARNING LABEL	1
INSTRUCTIONS	1

**INSTALLATION INSTRUCTIONS**

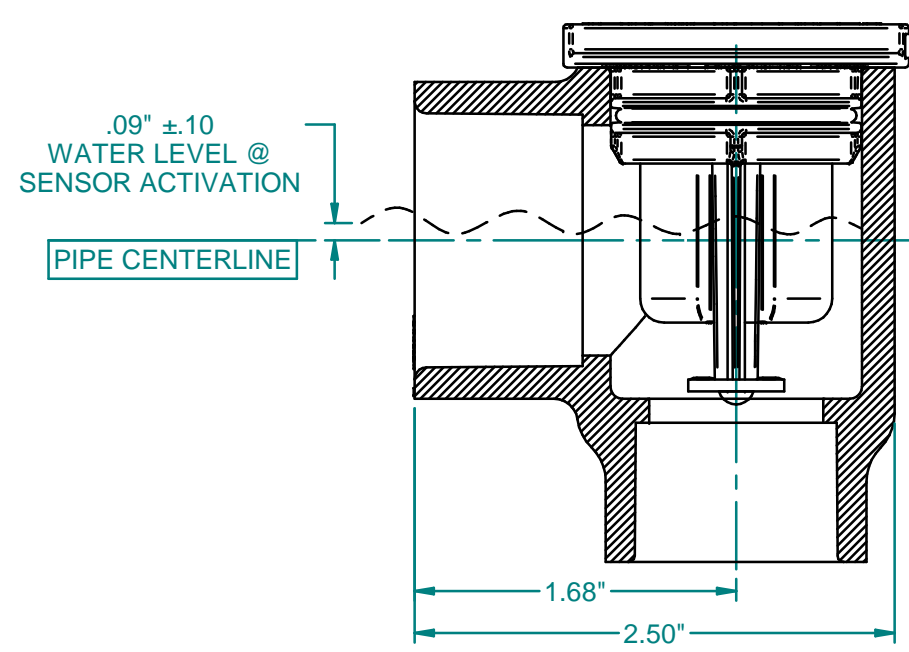
- \* REMOVE SENSOR PRIOR TO INSTALLATION
- \* DO NOT GLUE SENSOR TO HOUSING
- \* PLUG DRAIN AND FILL PAN TO CONFIRM SENSOR FUNCTION AFTER INSTALLATION
- \* REMOVE SENSOR TO CLEAN & INSPECT

\* ITEMS REQUIRED FOR ASSEMBLY

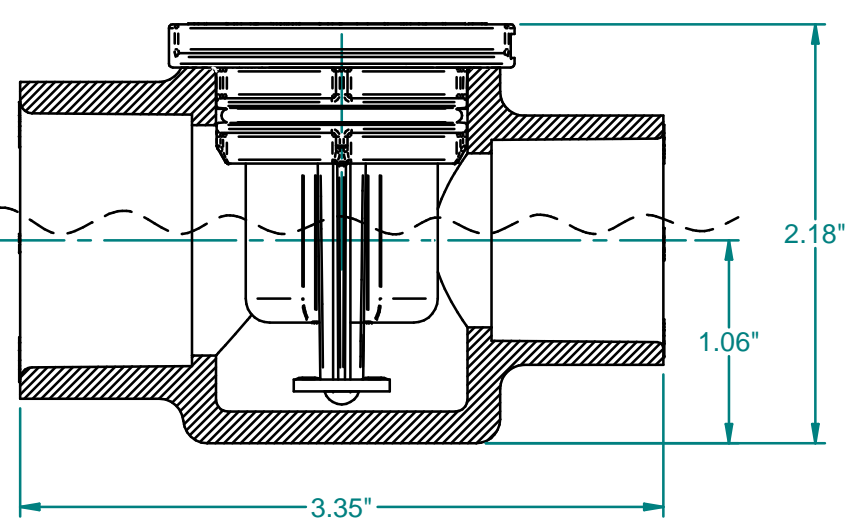
- PVC CEMENT
- TEFLON TAPE



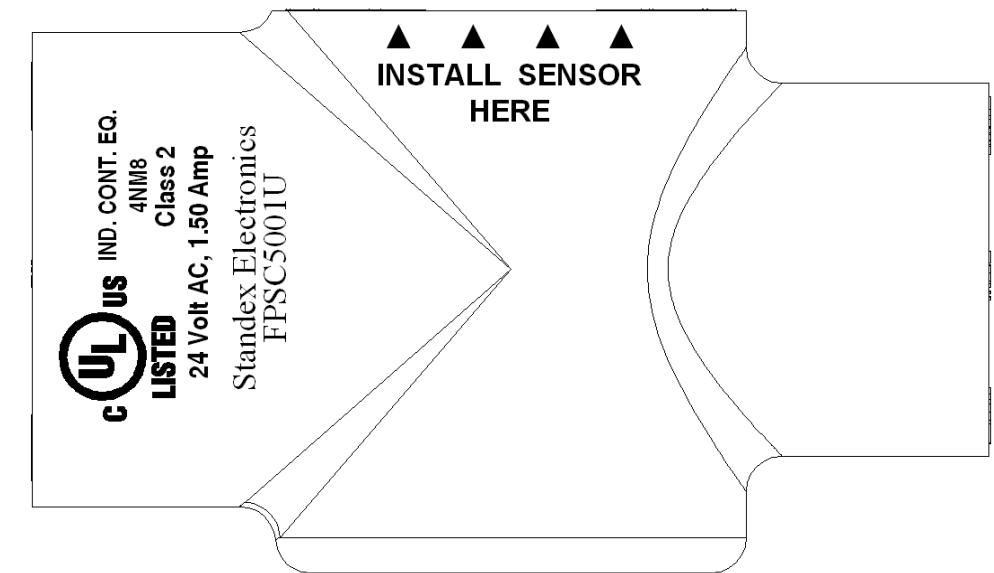
### VERTICAL INSTALLATION



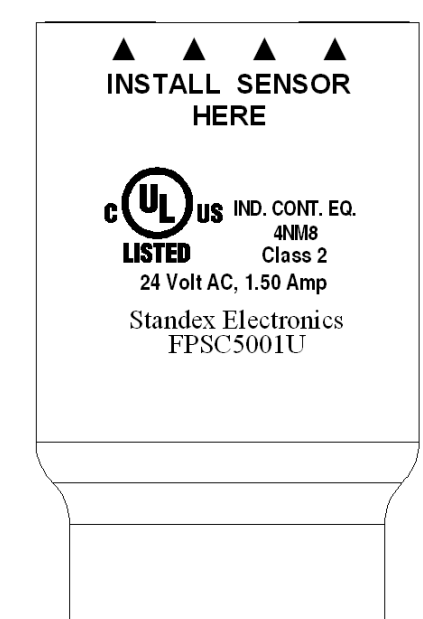
### HORIZONTAL INSTALLATION



### HORIZONTAL TEE MARKING



### VERTICAL TEE MARKING



**NOTES:**

- FLOAT MATERIAL: POLYPROPYLENE, WHITE
- HOUSING AND RETAINER RING MATERIAL: POLYPROPYLENE, BLACK
- O-RING MATERIAL: SILICONE
- OPERATING TEMPERATURES UP TO 70°C
- STORAGE TEMPERATURE UP TO 105°C
- ELECTRICAL CHARACTERISTICS:
  - POWER RATING (MAX) 50VA
  - SWITCHING VOLTAGE (MAX) 200 VDC, 150 VAC
  - BREAKDOWN VOLTAGE (MIN) 250VDC
  - CONTACT ARRANGEMENT SPST
  - SWITCHING CURRENT (MAX) 1.5 A DC, 1.5 A AC
  - CARRY CURRENT (MAX) 2.5 A DC, 2.5 A AC
  - CONTACT RESISTANCE 100 mΩ
  - INSULATION RESISTANCE (MIN) 10<sup>12</sup> Ω
  - SWITCH AGENCY LISTED UL E122752
- WIRE CONNECTIONS: 18AWG UL1007/1569 OR UL2468
- FLOAT SPECIFIC GRAVITY: 0.75 (REFERENCE ONLY)
- PLASTIC MATERIAL REGULATORY COMPLIANCE: FDA, RoHS, UL
- CONFORMS TO UL508
- MUST PASS MINIMUM OF 30 LBS. WIRE PULL TEST USING DEAD WEIGHT FOR ONE MINUTE

This drawing and the information and technical data contained hereon, are confidential and proprietary to Standex Electronics and shall not be used in whole or in part without Standex written consent

REVISIONS	INITIAL RELEASE	ADD	INSTALLATION INSTRUCTIONS:	ADD WATER LEVEL:	ADD DIMENSIONS	ADD CUSTOM FITTINGS:	ADD TEE FITTINGS:	ADD 3/4\"/>
1	4/3/12 DCJ							
2								
3								

TOLERANCES When Unspecified	
Inches	Millimeters
2 Place Dec. ±.XX	1 Place Dec. ±.X
3 Place Dec. ±.XXX	2 Place Dec. ±.XX
Fractions ±X/X	Angles ±X°
Scale: N/A	

TITLE		DRAWING NUMBER		REV.
FPS-T		FPSC 5001U		3
Standex Electronics		a Standex company		CINCINNATI OHIO
Dwn.	CCR	DATE	4/2/2012	
App'd.	DCJ	DATE	4/3/2012	

# Mouser Electronics

Authorized Distributor

Click to View Pricing, Inventory, Delivery & Lifecycle Information:

[Standex Electronics:](#)

[FPS-T](#)