



# SSMA Female Bulkhead Mount Connector Solder Attachment for RG174, RG316, RG188, .177 inch D Hole

## RF Connectors Technical Data Sheet

PE44405

### Configuration

- SSMA Female Connector
- 50 Ohms
- Straight Body Geometry
- RG174, RG316, RG188 Interface Type
- Solder/Solder Attachment
- Bulkhead

### Mechanical Specifications

Weight 0.005 lbs [2.27 g]

### Material Specifications

Description	Material	Plating
Body	Brass	Nickel

**Compliance Certifications** (visit [www.Pasternack.com](http://www.Pasternack.com) for current document)  
 RoHS Compliant

### Plotted and Other Data

Notes:

SSMA Female Bulkhead Mount Connector Solder Attachment for RG174, RG316, RG188, .177 inch D Hole from Pasternack Enterprises has same day shipment for domestic and International orders. Our RF, microwave and millimeter wave products maintain a 99% availability and are part of the broadest selection in the industry.

Click the following link (or enter part number in "SEARCH" on website) to obtain additional part information including price, inventory and certifications: [SSMA Female Bulkhead Mount Connector Solder Attachment for RG174, RG316, RG188, .177 inch D Hole PE44405](http://www.Pasternack.com/ssma-female-standard-rg174-rg316-rg188-connector-pe44405-p.aspx)

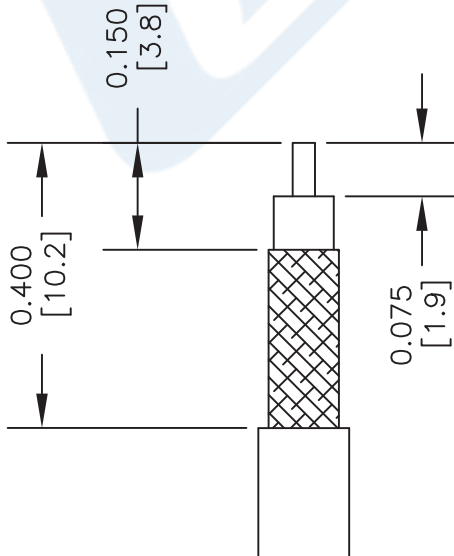
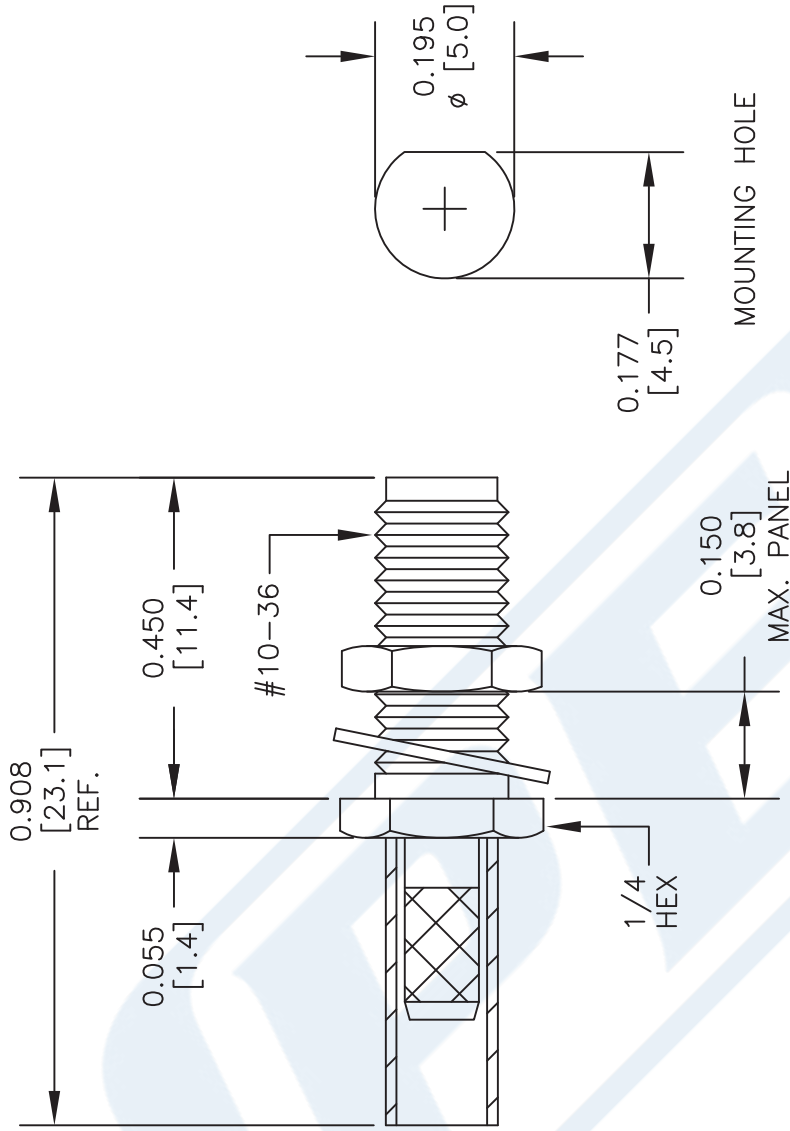
URL: <http://www.pasternack.com/ssma-female-standard-rg174-rg316-rg188-connector-pe44405-p.aspx>

The information contained in this document is accurate to the best of our knowledge and representative of the part described herein. It may be necessary to make modifications to the part and/or the documentation of the part, in order to implement improvements. Pasternack reserves the right to make such changes as required. Unless otherwise stated, all specifications are nominal. Pasternack does not make any representation or warranty regarding the suitability of the part described herein for any particular purpose, and Pasternack does not assume any liability arising out of the use of any part or documentation.



# PE44405 CAD Drawing

SSMA Female Bulkhead Mount Connector Solder Attachment  
for RG174, RG316, RG188, .177 inch D Hole



STRIPPING DIMENSIONS

CRIMP SIZE REQUIRED

CONTACT: SOLDER  
FERRULE: SOLDER

DWG TITLE

**PE44405**

- NOTES:
1. UNLESS OTHERWISE SPECIFIED ALL DIMENSIONS ARE NOMINAL.
  2. ALL SPECIFICATIONS ARE SUBJECT TO CHANGE WITHOUT NOTICE AT ANY TIME.
  3. DIMENSIONS ARE IN INCHES [mm].
  4. FITS MIL-C-17 AND EQUIVALENT CABLES.

FSCM NO. 53919

CAD FILE 122313

SCALE N/A

SIZE A

2233



Pasternack Enterprises, Inc.  
P.O. Box 16759 | Irvine | CA | 92623  
Phone: (949) 261-1920 | Fax: (949) 261-7451  
Website: www.pasternack.com | E-Mail: sales@pasternack.com