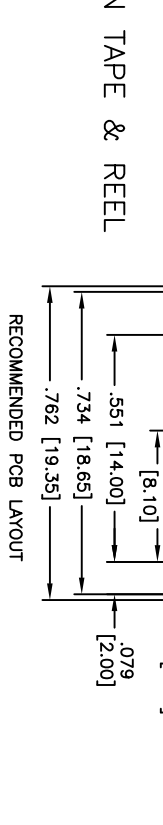
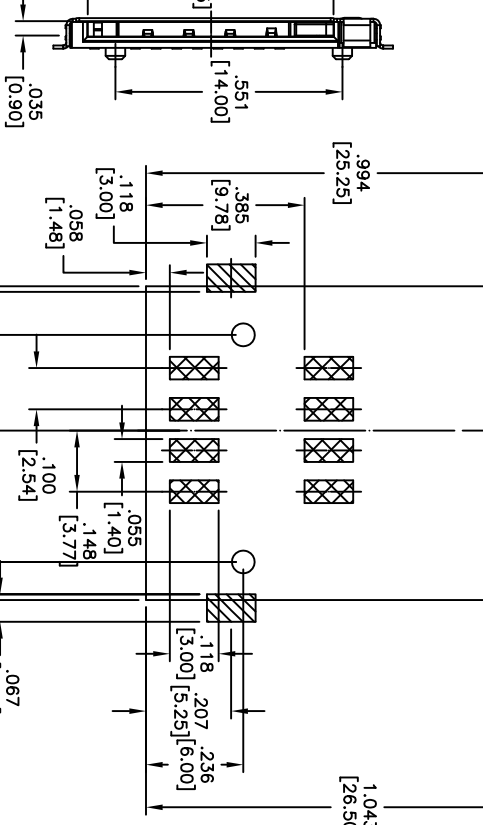
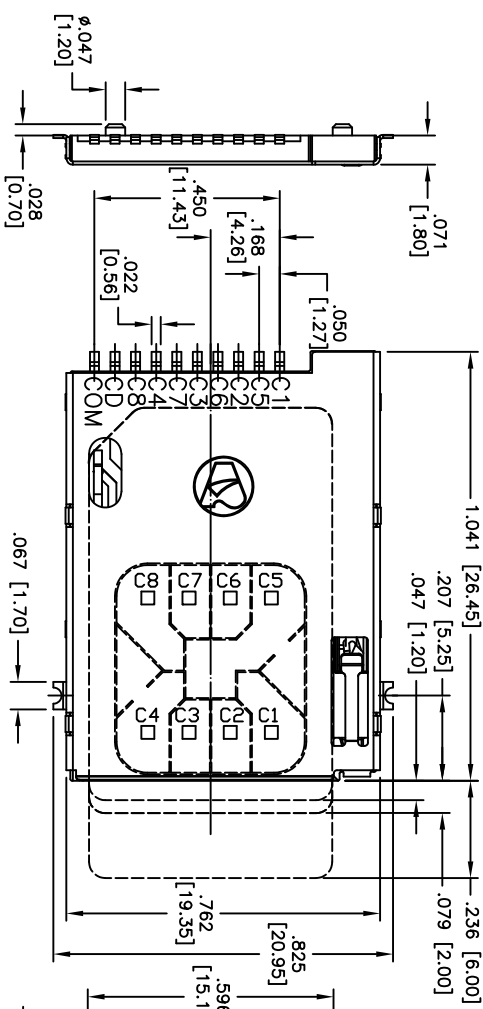
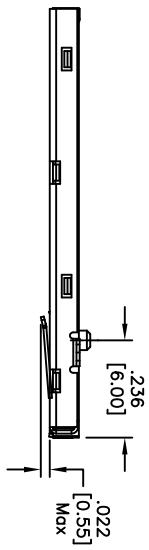
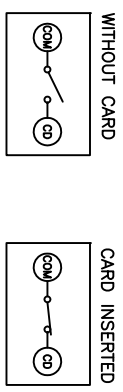


Rev	AWO #	Description	Date	Appr
-		RELEASED	10/7/10	

APPROVED: _____
 DATE: _____ TITLE: _____



PACKAGED ON TAPE & REEL



CARD DETECT SW. STATUS.

SPECIFICATIONS:

- Material: LCP with glass fiber reinforced, rated UL 94V-0
- Insulator color: Black
- Contacts: Phosphor Bronze
- Shield cover: Stainless steel
- Plating: 10u" Gold over Nickel underplate on contact area, Tin over Copper underplate on SMT tails
- Electrical: Current rating: 0.5 Amps max, Contact resistance: 30 mohms max, Insulation resistance: 1000 Mohms min @ 500V DC, Dielectric withstanding voltage: 500 VAC for 1 minute
- Temperature Rating: Operating temperature: -25°C to +85°C
- Environmental: Lead free, RoHS compliant.
- Recommended soldering temp: 260°C for 5 sec.

A

B

C

D

6

5

4

3

2

1

ADAM TECH

909 Railway Avenue, Union, NJ 07083
 Phone: 908-687-5000 Fax: 908-687-5710

TITLE: SIM CARD SOCKET 8+2 PIN, PUSH PUSH TYPE
 NO STAND OFF

APPROVALS		DATE	DATE	DATE
DRAWN	AY	10/9/10		
CHECKED	AH	10/9/10		
APPROVED				

SIZE	PART NO.	REV.
X	SCCP-10-SG-SMT-TR	

REF: S0009T SCALE: NTS SHEET 1 OF 1

A

B

C

D

6

5

4

3

2

1