



TAI-SAW TECHNOLOGY CO., LTD.

No. 3, Industrial 2nd Rd., Ping-Chen Industrial District,
Taoyuan, 324, Taiwan, R.O.C.

TEL: 886-3-4690038 FAX: 886-3-4697532

E-mail: tstsales@mail.taisaw.com Web: www.taisaw.com

Approval Sheet For Product Specification

Issued Date:

Product Name: SAW Resonator 669.557 MHz SMD 3X3 mm

TST Parts No.: TC0321A

Customer Parts No.: _____

Company: _____
Division: _____
Approved by : _____
Date: _____

Checked by: _____ Asin Lin

Approval by: _____ Francis Chen

Date: _____ 2006/3/20



TAI-SAW TECHNOLOGY CO., LTD.

No. 3, Industrial 2nd Rd., Ping-Chen Industrial District,
Taoyuan, 324, Taiwan, R.O.C.

TEL: 886-3-4690038 FAX: 886-3-4697532

E-mail: tstsales@mail.taisaw.com Web: www.taisaw.com

SAW Resonator 669.557 MHz

MODEL NO.: TC0321A

REV. NO.:1

A. FEATURES:

- 1-Port Resonator.

B. MAXIMUM RATING:

1. Input Power Level: 10 dBm
2. DC voltage: 3 V
3. Operating Temperature: -40°C to +85°C
4. Storage Temperature: -40°C to +85°C

C. ELECTRICAL CHARACTERISTICS:

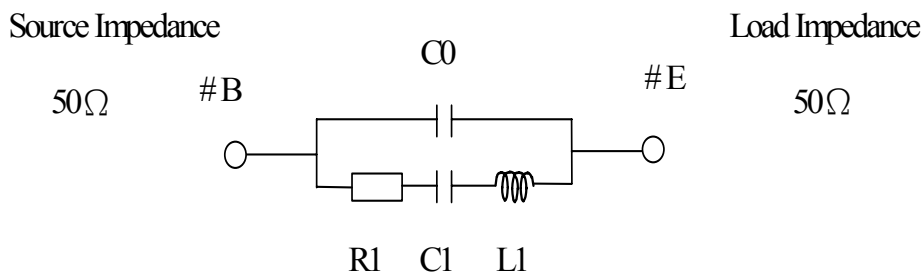
Reference Temperature $T_A=25^\circ\text{C}$

Characteristic	Units	Minimum	Typical	Maximum
Center frequency Fc	MHz	669.517	669.557	669.597
Insertion Loss IL	dB	-	1.0	2.0
Unload quality factor Q_U		-	9636	-
Ageing of fc	ppm/yr	-	-	±10
Motional capacitance C1	fF	-	1.44	-
Motional inductance L1	µH	-	39.17	-
Motional resistance R1	Ohm	-	17.1	-
Parallel capacitance C₀	pF	-	3.27	-
Frequency Temperature coefficient (C_f)	ppm/c*2	-	0.032	-
Turnover T₀	deg.C	-	25	-
Package size		SMD 3x3x1.1 mm		

Temperature dependence of fc: $f_c(T_A)=f_c(T_O)(1+TC_f(T_A-T_O)^2)$

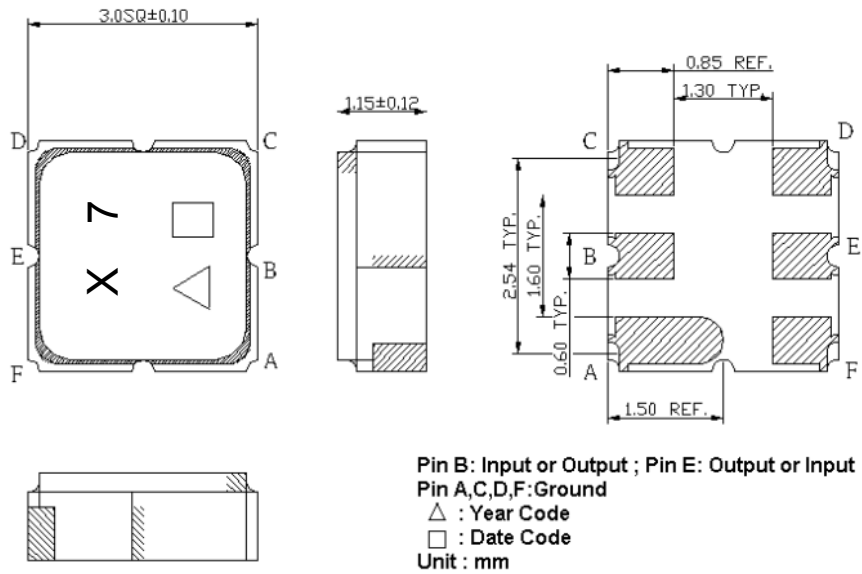
D. EQUIVALENT CIRCUIT:

One-Port Resonator:



RoHS Compliant
Lead free
Lead-free soldering

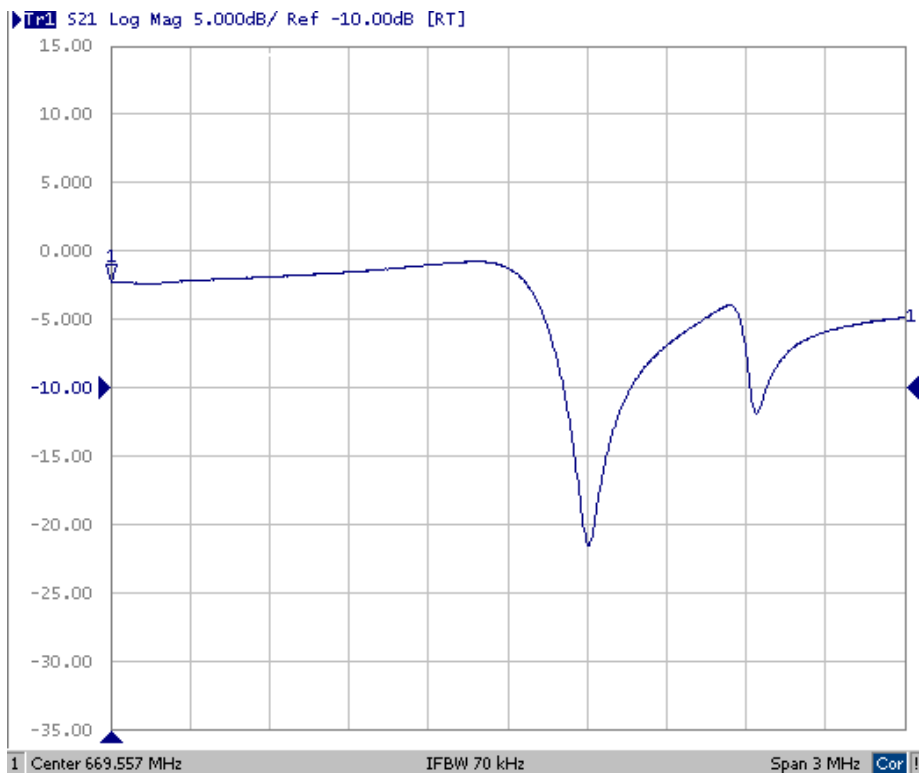
E. OUTLINE DRAWING:



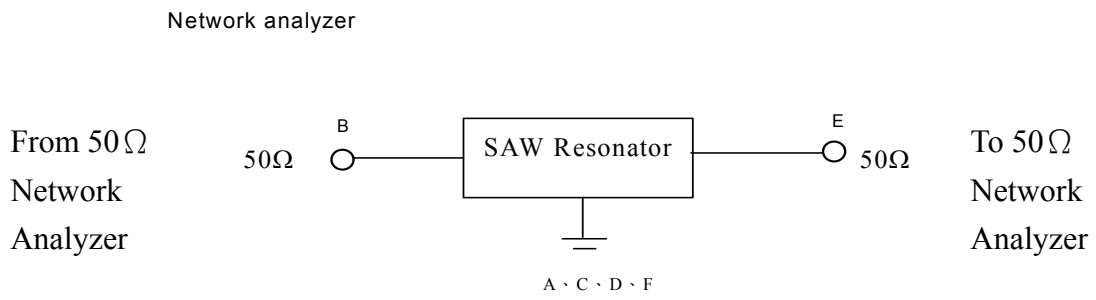
Date code: Provided by planer each year

Year code: 6 for 2006,7 for 2007,...

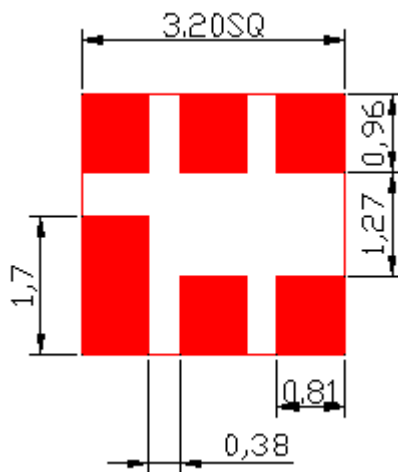
F. FREQUENCY CHARACTERISTICS:



G. TEST CIRCUIT:

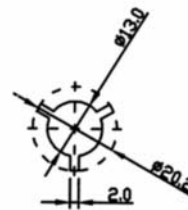
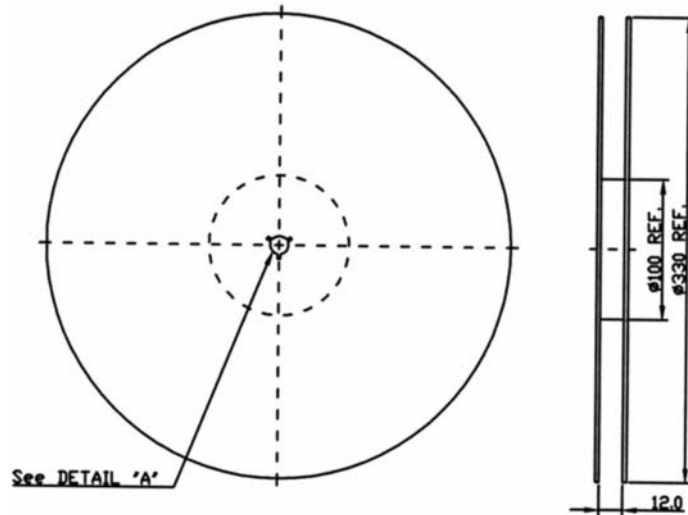


H. LAND PATTERN:

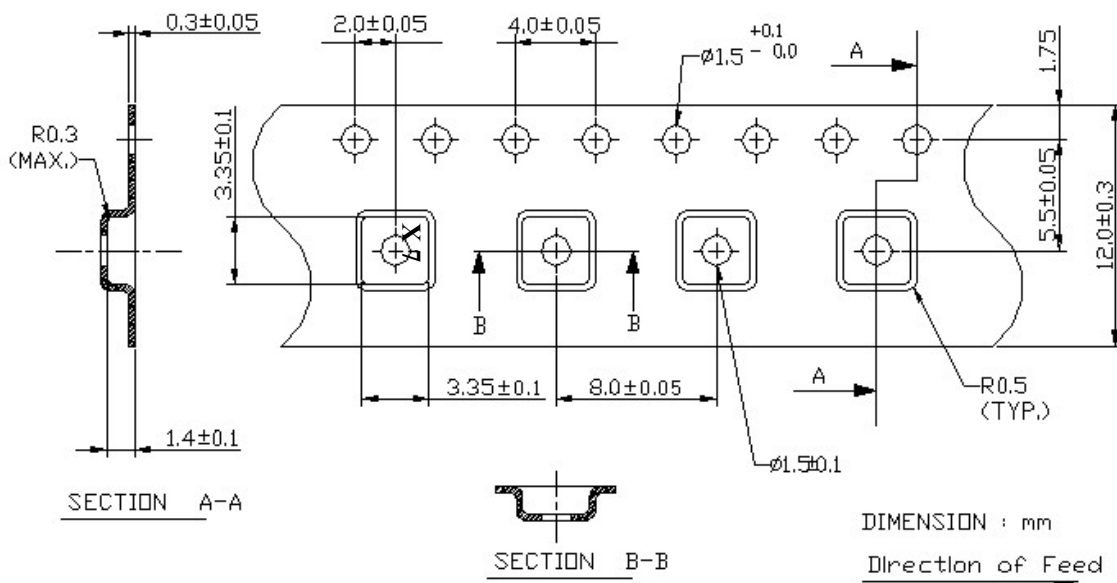


I. PACKING:

1. REEL DIMENSION



2. TAPE DIMENSION



H. RECOMMENDED REFLOW PROFILE:

