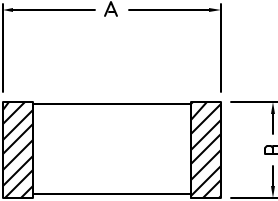
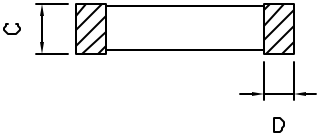


XFMRS, Inc.

SPECIFICATION FOR APPROVAL

XFMRS P/N : XFEB201209-070-1.5A				Rev: A/1											
DIMENSION : (m/m) <div style="text-align: center; margin: 10px 0;">  </div> <div style="text-align: center; margin: 10px 0;">  </div>				A	$\varnothing 2.0 \pm 0.2$	m/m									
				B	1.2 ± 0.2	m/m									
				C	0.9 ± 0.2	m/m									
				D	0.5 ± 0.3	m/m									
				E		m/m									
				F		m/m									
				G		m/m									
				H		m/m									
				I		m/m									
				J		m/m									
				K		m/m									
				L		m/m									
				M		m/m									
				N		m/m									
				O		m/m									
ELECTRICAL REQUIREMENTS				TEST INSTRUMENTS											
Z	7 Ohms $\pm 25\%$	TEST FREQ.	100	MHz	<input type="radio"/> HP 34401A MULTIMETER <input type="radio"/> HP 4195 NETWORKS/SPECTRUM ANALYZER <input type="radio"/> HP 42841 BIAS CURRENT SOURCE <input type="radio"/> HP 4285A LCR METER <input type="radio"/> HP 4286A RF LCR METER <input checked="" type="radio"/> HP 4291A RF IMPEDANCE / MATERIAL ANALYZER <input type="radio"/> HP 4338A MILLION OHM METER <input type="radio"/> HP 6632A DC POWER SUPPLY <input type="radio"/> HP4284A PRECISION LCR METER										
Z		TEST FREQ.		MHz											
SRF		TEST FREQ.		MHz											
Rdc	0.030 Ohms Max	TEST FREQ.		MHz											
Idc	1500mA Max	TEST FREQ.		MHz											
Notes: <table style="width: 100%; font-size: small;"> <tr> <td style="width: 50%;">1. Solderability: Leads shall meet MIL-STD-202G, Method 208H for solderability.</td> <td style="width: 50%;">5. Storage Temperature Range: -55°C to +125°C</td> </tr> <tr> <td>2. Flammability: UL94V-0</td> <td>7. Aqueous wash compatible</td> </tr> <tr> <td>3. ASTM oxygen index > 28%</td> <td>8. SMD Lead Coplanarity: $\pm 0.004^\circ (0.102\text{mm})$</td> </tr> <tr> <td>4. Insulation System: Class F 155°C. UL file E151558</td> <td>9. Electrical and mechanical specifications 100% tested</td> </tr> <tr> <td>5. Operating Temperature Range: All listed parameters are to be within tolerance from -40°C to +85°C</td> <td>10. RoHS Compliant Component</td> </tr> </table>						1. Solderability: Leads shall meet MIL-STD-202G, Method 208H for solderability.	5. Storage Temperature Range: -55°C to +125°C	2. Flammability: UL94V-0	7. Aqueous wash compatible	3. ASTM oxygen index > 28%	8. SMD Lead Coplanarity: $\pm 0.004^\circ (0.102\text{mm})$	4. Insulation System: Class F 155°C. UL file E151558	9. Electrical and mechanical specifications 100% tested	5. Operating Temperature Range: All listed parameters are to be within tolerance from -40°C to +85°C	10. RoHS Compliant Component
1. Solderability: Leads shall meet MIL-STD-202G, Method 208H for solderability.	5. Storage Temperature Range: -55°C to +125°C														
2. Flammability: UL94V-0	7. Aqueous wash compatible														
3. ASTM oxygen index > 28%	8. SMD Lead Coplanarity: $\pm 0.004^\circ (0.102\text{mm})$														
4. Insulation System: Class F 155°C. UL file E151558	9. Electrical and mechanical specifications 100% tested														
5. Operating Temperature Range: All listed parameters are to be within tolerance from -40°C to +85°C	10. RoHS Compliant Component														
DRAWN BY :		CHECKED BY :		APPROVED BY :											
ISAIAH MCNEIL		TONY IMBURGIA		MS Jul-24-07											