

Pressure

Sensit HPS-A Series Active mV Output Pressure Transducer

Product Data Sheet DS2807

Four wire, millivolt output transducers with integral voltage regulator and amplifier offering superb chemical and corrosion resistance. Gauge or Absolute pressure is detected using a four active arm strain gauge bridge sensor, fused to a high-purity ceramic diaphragm. Available in three classes of accuracy and stability specified below, with ranges from 100mbar to 600 bar or scaled to customer requirements.

- Stainless Steel housing
- Rugged construction
- Excellent linearity
- Excellent long term stability
- Wide temperature range

Class A High Specification Transducer

Output Span	200mV $\pm 0.5\%$
Output Zero	0mV $\pm 0.5\%$ of span
Non Linearity, Hysteresis & Repeatability (NLH)	$\pm 0.1\%$ of span (best fit straight line)
Compensated Temp Range	-20°C to 125°C
Operating Temp Range	-20°C to 125°C
Thermal Zero Shift	0 to 100°C, $\pm 0.01\%$ of span/°C <0°C & >100°C, $\pm 0.015\%$ of span/°C
Thermal Span Shift	$\pm 0.015\%$ reading/°C typical
Long Term Stability	0.1% / 12 months typical
Power Supply	10 to 32Vdc

Class B Industrial Transducer

Output Span	200mV $\pm 1\%$
Output Zero	0mV $\pm 1\%$ of span
Non Linearity, Hysteresis & Repeatability (NLH)	$\pm 0.15\%$ of span (best fit straight line)
Compensated Temp Range	0°C to 100°C
Operating Temp Range	-20°C to 125°C
Thermal Zero Shift	$\pm 0.015\%$ span/°C
Thermal Span Shift	$\pm 0.015\%$ reading/°C typical
Long Term Stability	0.1% / 12 months typical
Power Supply	10 to 32Vdc

Class C General Purpose/OEM Transducer

Output Span	200mV $\pm 1\%$
Output Zero	0mV $\pm 1\%$ of span
Non Linearity, Hysteresis & Repeatability (NLH)	$\pm 0.25\%$ of span (best fit straight line)
Compensated Temp Range	0°C to 80°C
Operating Temp Range	-20°C to 125°C
Thermal Zero Shift	$\pm 0.04\%$ span/°C
Thermal Span Shift	$\pm 0.015\%$ reading/°C typical
Long Term Stability	0.1% / 12 months typical
Power Supply	10 to 32Vdc

Options

Pressure Connection

G $\frac{1}{4}$ " BSP male or female
 G $\frac{1}{2}$ " BSP male
 $\frac{1}{4}$ " NPT male or female
 $\frac{1}{2}$ " NPT male
 Others available on request

Electrical Connection

IP65 mini plug & socket
 IP65 large plug & socket
 IP65 cable & ferrule
 IP68 glanded cable
 Others available on request

Housing Material

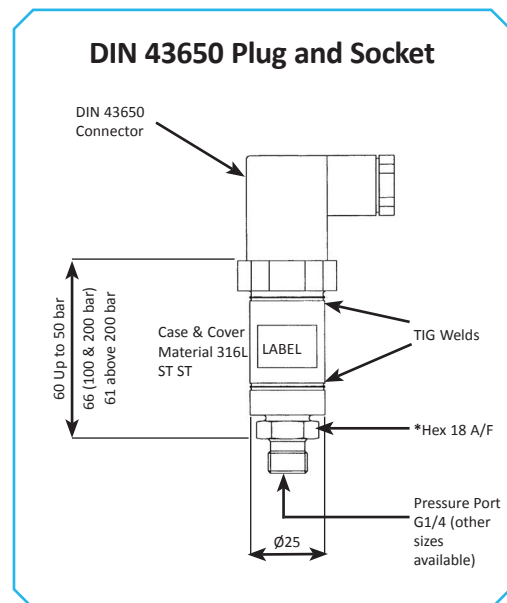
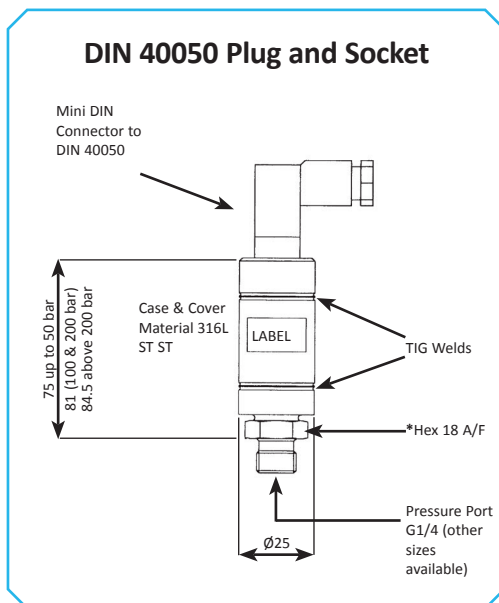
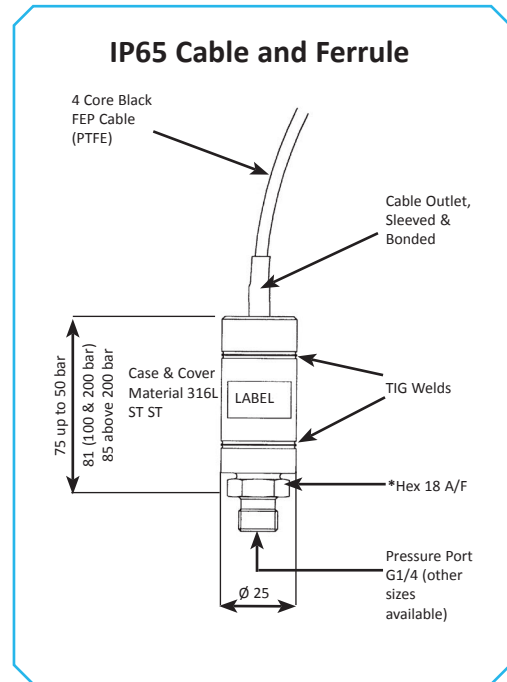
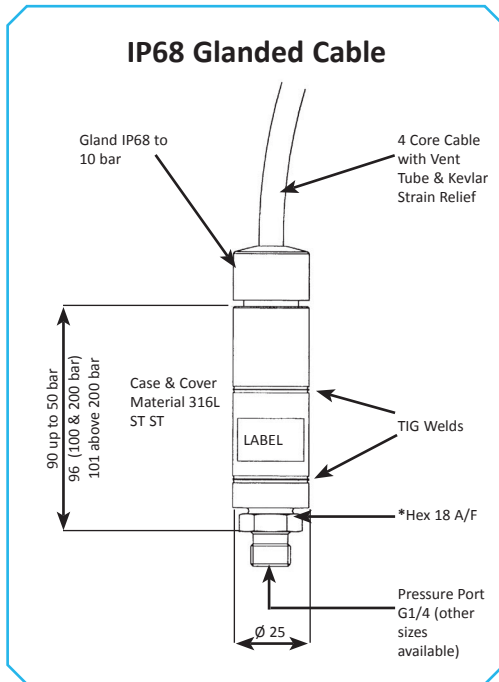
316L Stainless Steel
 Others available on request

Electrical Output

0-100mV
 Others available on request



Dimensions (mm)



* Note: >200 bar, Hexagon 27 A/F and diameter 27

SENSIT pressure transducers are also available with the following outputs:

- Voltage : 0-5V, 0-10V or 1-5V
- Active mV : 0-100mV or 0-200mV
- mA : 4-20mA

For level or depth measurement, use the **NEW TRIDENT Series of submersible pressure transducers**, or if your application requires something special, contact sales. If we do not already have the solution our OEM design team are ready to help.

Every effort has been made during the preparation of this document to ensure the accuracy of statements and specifications. However, we do not accept liability for damage, injury, loss or expense caused by errors or omissions made. We reserve the right to withdraw or amend products or documentation without notice.

Mechanical Specification

Safe Over-range Pressure	1.5 x rated range
Burst Pressure	3 x rated range minimum
Wetted Materials	Stainless steel, alumina ceramic, Viton (other O-ring materials available)



0043

1-4 Campbell Court, Bramley, Tadley, Hampshire, RG26 5EG, England
Tel: +44(0)1256 884901 Fax: +44(0)1256 882986



FM22358

05JOC5W0715