

Genum Products

Key Features

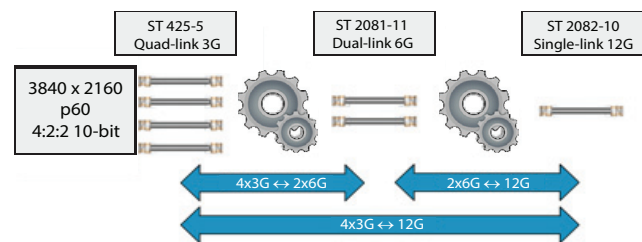
- Converts between 1.5G, 3G, 6G and 12G SDI
 - ♦ Quad Link 3G-SDI ↔ 12Gb/s
 - ♦ Dual Link 6Gb/s ↔ 12Gb/s
 - ♦ Dual Link (2 x 3Gb/s) ST 425-3 ↔ 6Gb/s
 - ♦ Quad Link (4 x 3Gb/s) ST 425-5/-6 ↔ Dual Link 6Gb/s
 - ♦ Quad Link HD-SDI (4 x 1.5Gb/s) ↔ 6Gb/s
- Serial Bypass modes for all support rates
- 4 Serial Differential Inputs
 - ♦ 100Ω differential inputs support DC-coupling to 1.2V CML Logic
 - ♦ Input trace equalization for up to 6" FR4 at 12Gb/s
- 4 Serial Differential Outputs
 - ♦ 100Ω differential outputs support DC-coupling to 1.2V CML Logic
 - ♦ Output de-emphasis to compensate for up to 6" FR4 at 12Gb/s
- Reference Clock/Crystal Input — 148.5MHz/27MHz
- GSPI serial control and monitoring interface
- Selectable 1.8V and 2.5V digital control I/O
- Automatic SMPTE ST 352 packet creation
- 14mm x 14mm 256-Ball BGA (0.8mm pitch)
- Pb-free and RoHS-compliant package

Applications

- UHDTV1 and 4K D-Cinema end-equipment: Cameras, Monitors, Switchers

Description

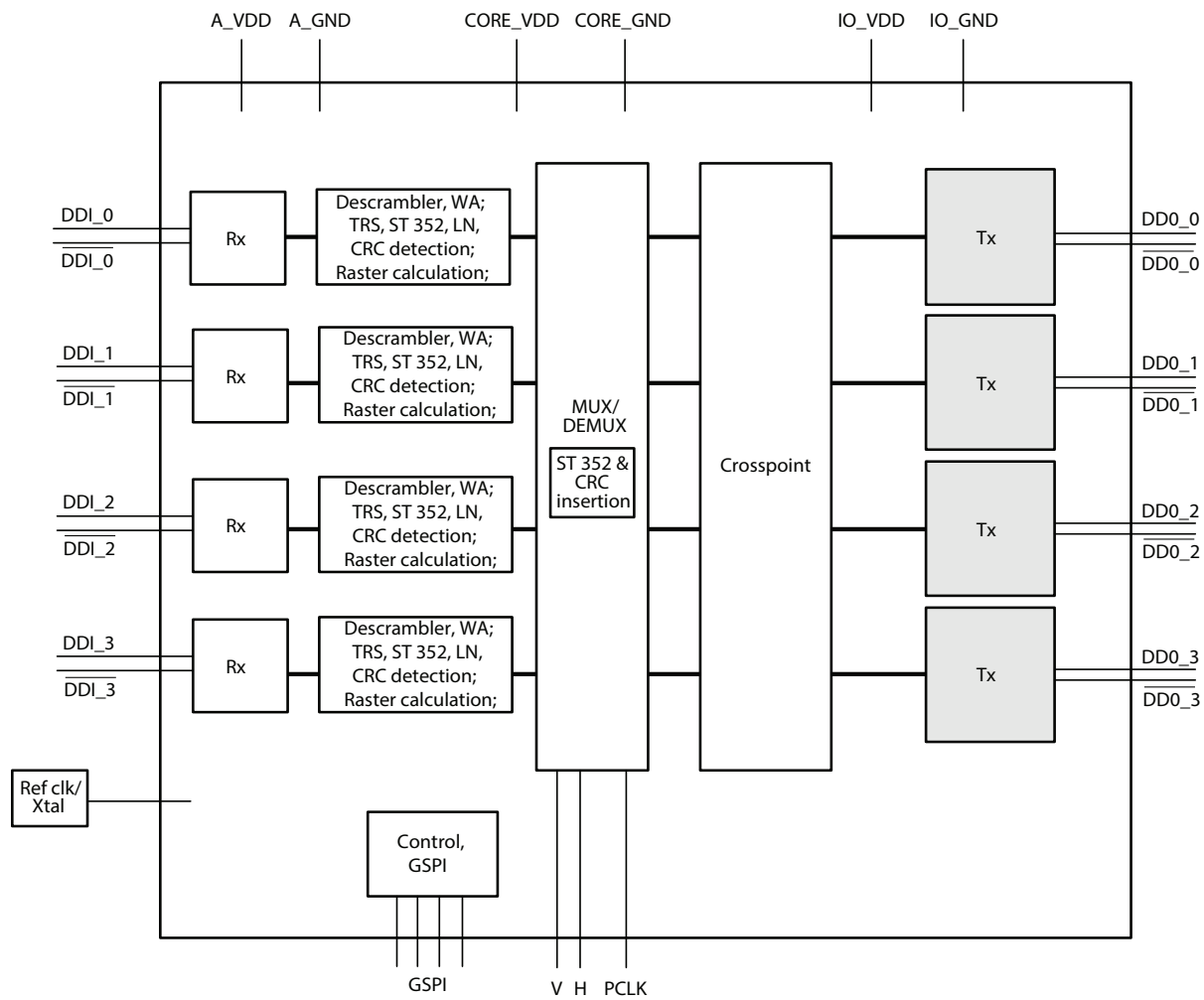
The GS12070 is an UHD-SDI Gearbox which performs the multiplexing and de-multiplexing necessary to facilitate conversions between the ST 425-3 and ST 425-5 multi-link 3Gb/s UHD-SDI Interface and the SMPTE ST 2081 (6Gb/s) and ST 2082 (12Gb/s) Interfaces. A conversion between 4 x 1.5Gb/s and 6Gb/s is also supported.



GS12070 Supported Conversions of SMPTE Standard Interfaces

The GS12070 features four high-speed differential signal inputs and four high-speed differential serial outputs which can be interfaced to 1.2V CML I/O. The high-speed inputs and outputs include programmable trace equalization and de-emphasis drivers to compensate for high-frequency losses associated with board-level interconnect.

The high-speed serial inputs and outputs support 270Mb/s, 1.5G, 3G, 6G and 12G nominal data rates. The supported conversions are performed by manually selecting the input and output rates. Unused output ports at 6G and 12G may be configured to output a copy of the primary converted output. A serial bypass mode is also available as a manually selectable option.



GS12070 Block Diagram



**DOCUMENT IDENTIFICATION
PRODUCT BRIEF**

The product is in a development phase and specifications are subject to change without notice. Semtech reserves the right to remove the product at any time. Listing the product does not constitute an offer for sale.

CAUTION

ELECTROSTATIC SENSITIVE DEVICES
DO NOT OPEN PACKAGES OR HANDLE EXCEPT AT A
STATIC-FREE WORKSTATION



© Semtech 2014

All rights reserved. Reproduction in whole or in part is prohibited without the prior written consent of the copyright owner. The information presented in this document does not form part of any quotation or contract, is believed to be accurate and reliable and may be changed without notice. No liability will be accepted by the publisher for any consequence of its use. Publication thereof does not convey nor imply any license under patent or other industrial or intellectual property rights. Semtech assumes no responsibility or liability whatsoever for any failure or unexpected operation resulting from misuse, neglect improper installation, repair or improper handling or unusual physical or electrical stress including, but not limited to, exposure to parameters beyond the specified maximum ratings or operation outside the specified range.

SEMTECH PRODUCTS ARE NOT DESIGNED, INTENDED, AUTHORIZED OR WARRANTED TO BE SUITABLE FOR USE IN LIFE-SUPPORT APPLICATIONS, DEVICES OR SYSTEMS OR OTHER CRITICAL APPLICATIONS. INCLUSION OF SEMTECH PRODUCTS IN SUCH APPLICATIONS IS UNDERSTOOD TO BE UNDERTAKEN SOLELY AT THE CUSTOMER'S OWN RISK. Should a customer purchase or use Semtech products for any such unauthorized application, the customer shall indemnify and hold Semtech and its officers, employees, subsidiaries, affiliates, and distributors harmless against all claims, costs damages and attorney fees which could arise.

Notice: All referenced brands, product names, service names and trademarks are the property of their respective owners.

Contact Information

Semtech Corporation
200 Flynn Road, Camarillo, CA 93012
Phone: (805) 498-2111, Fax: (805) 498-3804
www.semtech.com