

SAW Filter for Pager 147.0MHz
Part No: MA04019

Model: TA147FD
Rev No: 6

A. MAXIMUM RATING:

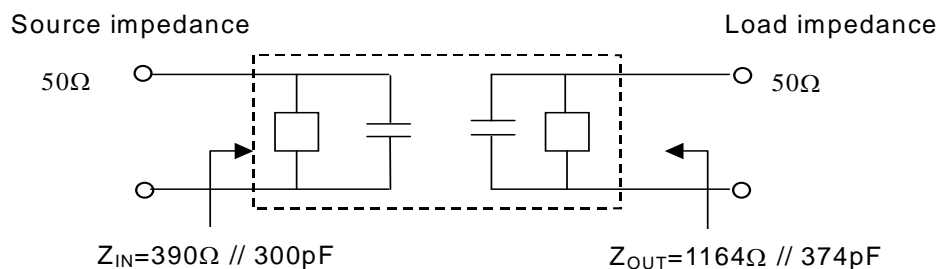
1. Input Power Level: 0dBm
2. DC voltage: 10V
3. Operating Temperature: -10°C to +50°C
4. Storage Temperature: -40°C to +85°C

B. ELECTRICAL CHARACTERISTICS:

Characteristics	Specification	Note
Center frequency F_c (MHz)	147	1
IL (Within $F_c \pm 4\text{MHz}$)	6.5 Max.	1
Amplitude Ripple, AR (Within $F_c \pm 4\text{MHz}$) (dB)	2.1 Max.	
Attenuation: (Reference level from 0dB) (dB)		
$F_c - 100\text{MHz}$ to -38.8MHz (dB)	50 Min.	1
$F_c + 38.8\text{MHz}$ to $+100\text{MHz}$ (dB)	42 Min.	
Impedance at F_c :		
Input $Z_{IN} = R_{IN} // C_{IN}$	390 Ω // 300 pF	2
Output $Z_{OUT} = R_{OUT} // C_{OUT}$	1164 Ω // 374 pF	2

Note 1. The standard definitions is in JIS C 6703

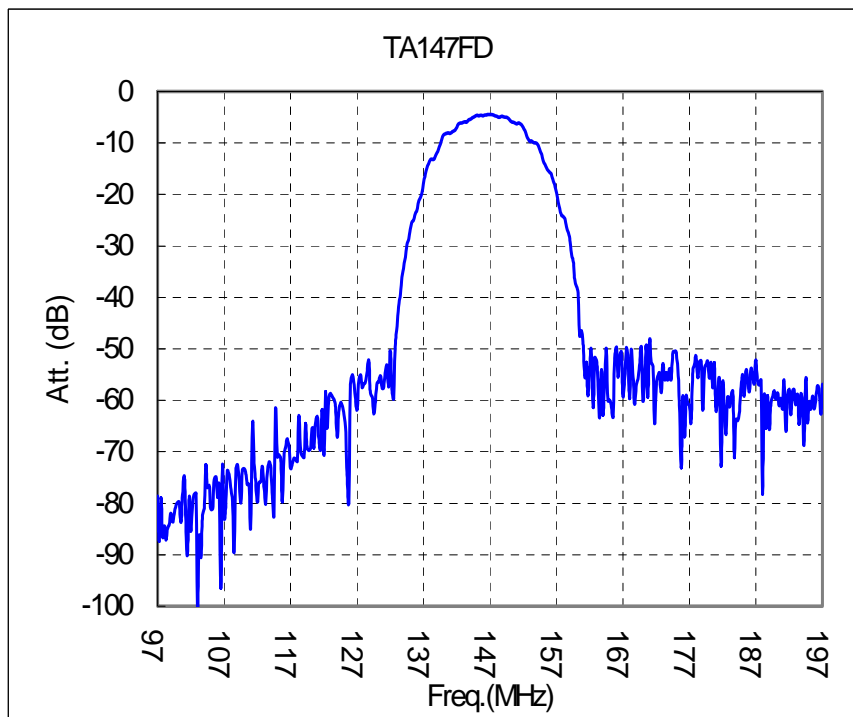
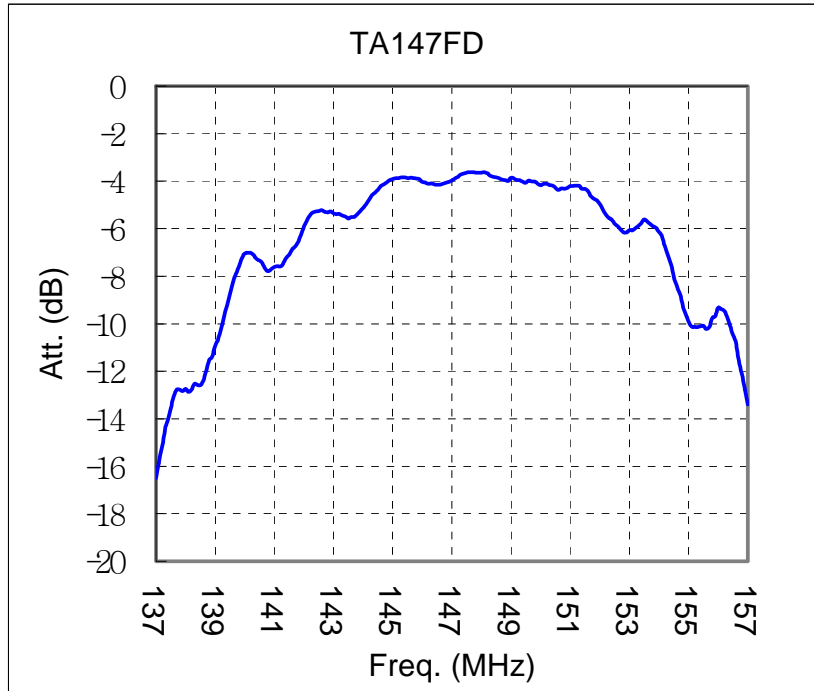
Note 2.



SAW Filter for Pager 147.0MHz
Part No: MA04019

Model: TA147FD
Rev No: 6

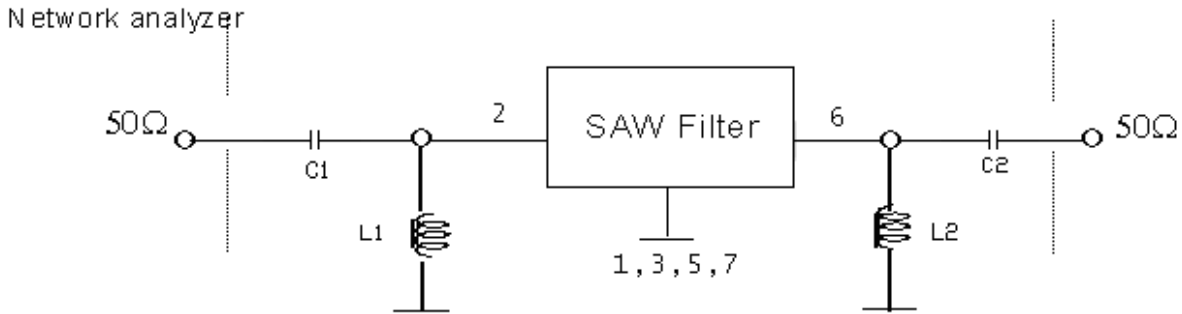
C. FREQUENCY CHARACTERISTICS:



SAW Filter for Pager 147.0MHz
Part No: MA04019

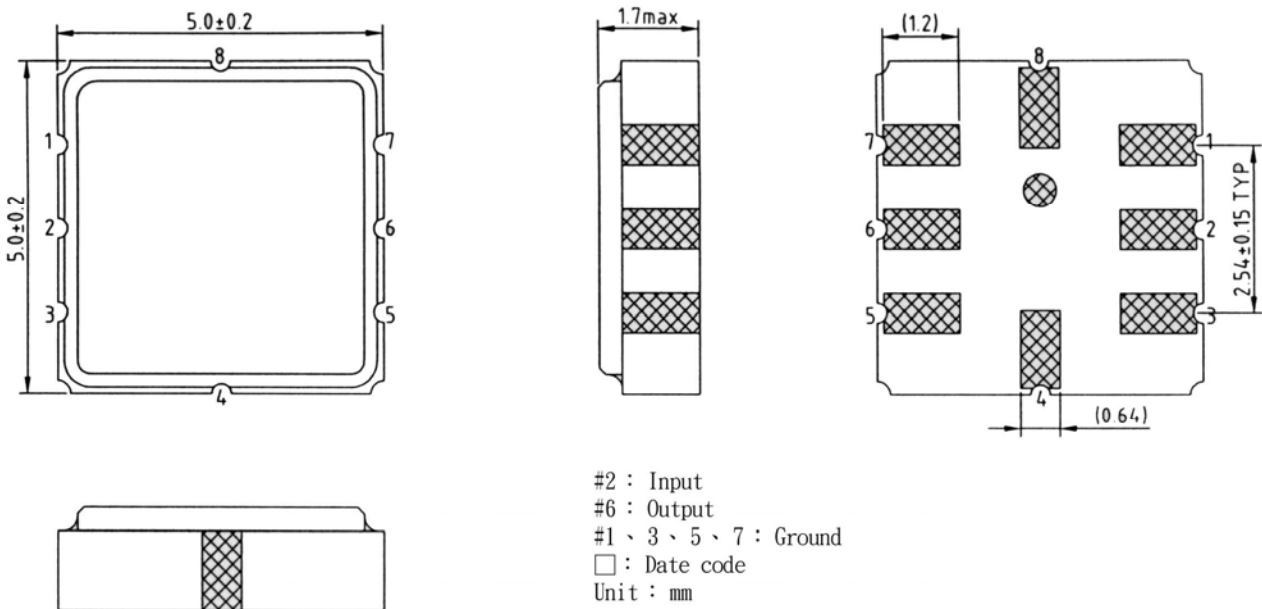
Model: TA147FD
Rev No: 6

D. MEASUREMENT CIRCUIT:



C1 = 8pF, L1 = 56nH
 C2 = 12 pF, L2 = 47nH

E. OUTLINE DRAWING:

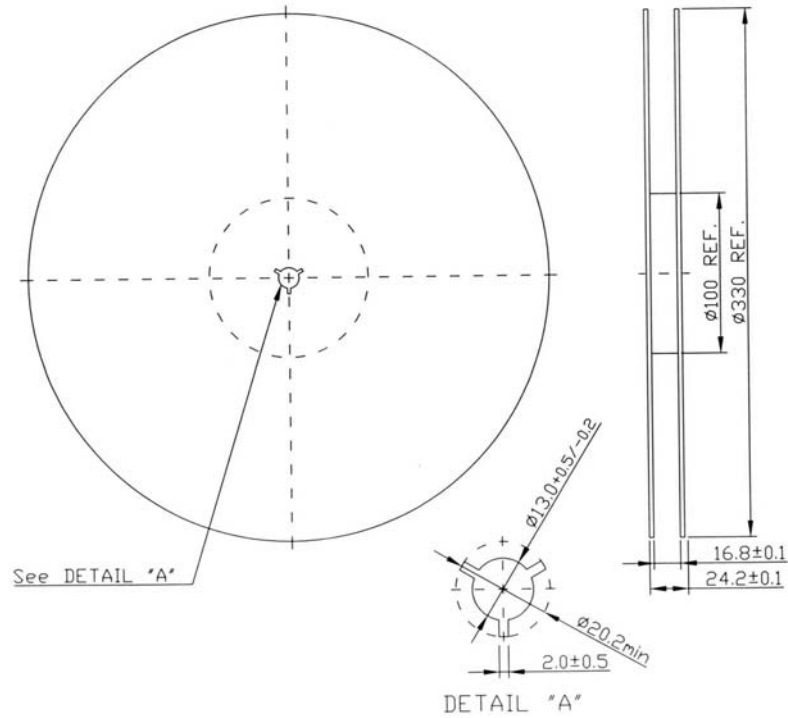


SAW Filter for Pager 147.0MHz
Part No: MA04019

Model: TA147FD
Rev No: 6

F. PACKING:

1. Reel Dimension



2. Tape Dimension

