

ISSUE 1; October 2015

Description

- PLL based, one time only factory programmable for a fast lead time
- A SMD crystal oscillator in a hermetically sealed ceramic package with a metal lid
- See IQXO-690 for our standard crystal oscillator alternative

Frequency Parameters

- Frequency: 1.0MHz to 200.0MHz
- Frequency Stability: ± 25.00 ppm
- Ageing: ± 5 ppm max in 1st year @ 25°C

Electrical Parameters

- Supply Voltage: 3.3V ± 0.3 V

Operating Temperature Ranges

- 40 to 85°C

Output Details

- Output Compatibility: LVPECL
- Drive Capability: 50 Ω terminated to $V_s - 2.0$ V
- Output Voltage VoH: $V_s - 1.025$ V
- Output Voltage VoL: $V_s - 1.620$ V

Output Control

- Tri-state Operation (CMOS):
 - Logic '1' to pin 1 enables oscillator output
 - Logic '0' to pin 1 disables oscillator output; when disabled the oscillator output goes to the high impedance state
 - No connection to pin 1 enables oscillator output

Noise Parameters

- Period Jitter: 10ps rms max

Environmental Parameters

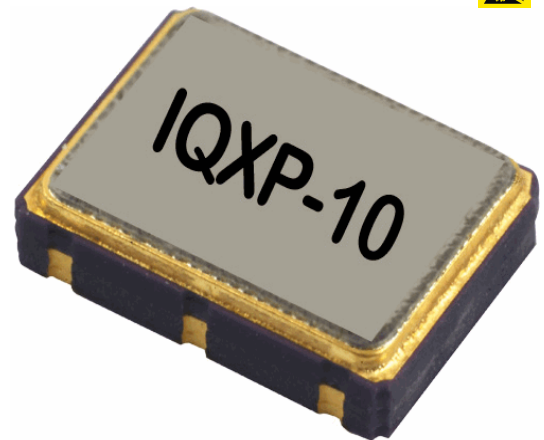
- Storage Temperature Range: -55 to 125°C

Ordering Information

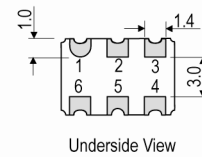
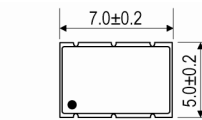
- Frequency*
- Model*
- Output Compatibility
- Frequency Stability (over operating temperature range)*
- Operating Temperature Range*
- Supply Voltage
- (*minimum required)
- Example: 100.0MHz IQXP-10 LVPECL ± 25 ppm -40 to 85C 3.3V

Compliance

- RoHS Status (2011/65/EU): Compliant
- REACH Status: Compliant
- MSL Rating (JDEC-STD-033): Not Applicable

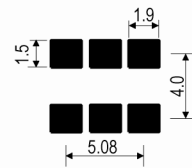


Outline (mm)



- Pad Connections
1. Tri-State (CMOS)
 2. Do Not Connect
 3. GND
 4. LVPECL +
 5. LVPECL -
 6. +Vs

Solder Pad Layout



Sales Office Contact Details:

UK: +44 (0)1460 270200

Germany: 0800 1808 443

France: 0800 901 383

USA: +1.760.318.2824

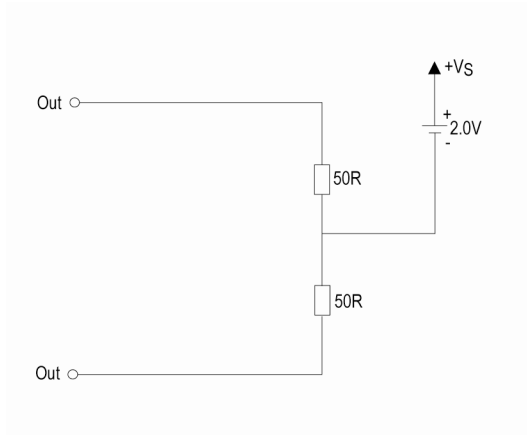
Email: info@iqdfrequencyproducts.com

Web: www.iqdfrequencyproducts.com

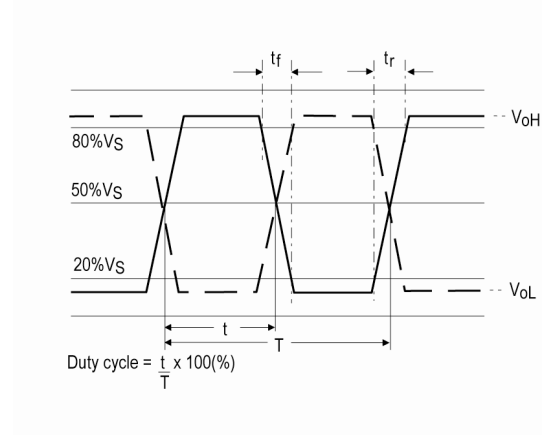
Packaging Details

- Pack Style: Reel Tape & reel in accordance with EIA-481-D
Pack Size: 1,000
- Pack Style: Cutt In tape, cut from a reel
Pack Size: 1
- Pack Style: Bulk Loose in bulk pack
Pack Size: 1

Test Circuit



Wave Form



Electrical Specification - maximum limiting values 3.3V ±0.3V

Frequency Min	Frequency Max	Temperature Range	Stability (Min)	Current Draw	Rise and Fall Time	Duty Cycle
		°C	ppm	mA	ns	%
1.0MHz	200.0MHz	-40 to 85	±25.0	100	1.5	45/55%

This document was correct at the time of printing; please contact your local sales office for the latest version.

[Click to view latest version on our website.](#)

Sales Office Contact Details:

UK: +44 (0)1460 270200
Germany: 0800 1808 443

France: 0800 901 383
USA: +1.760.318.2824

Email: info@iqdfrequencyproducts.com
Web: www.iqdfrequencyproducts.com