

SHINDENGEN

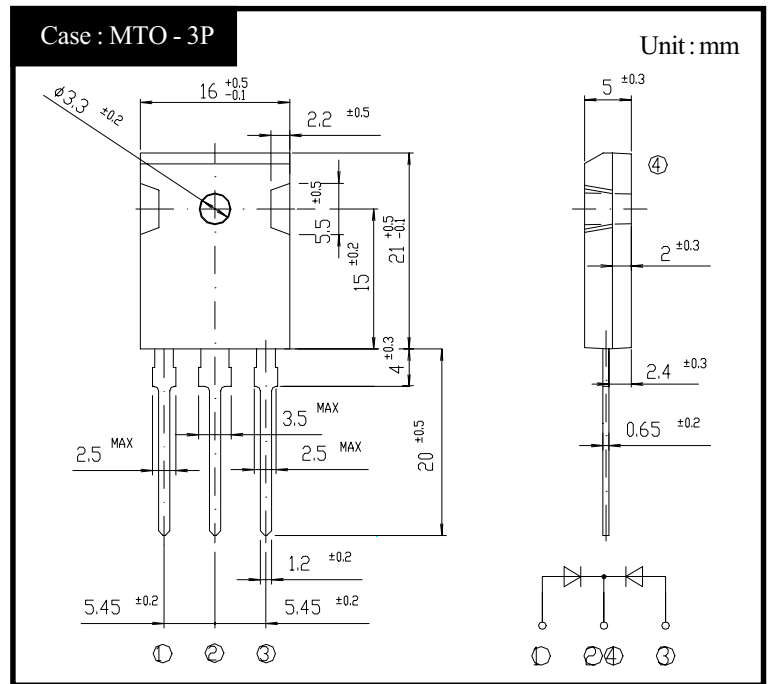
Schottky Rectifiers (SBD)

Dual

S40HC3

30V 40A

OUTLINE DIMENSIONS



RATINGS

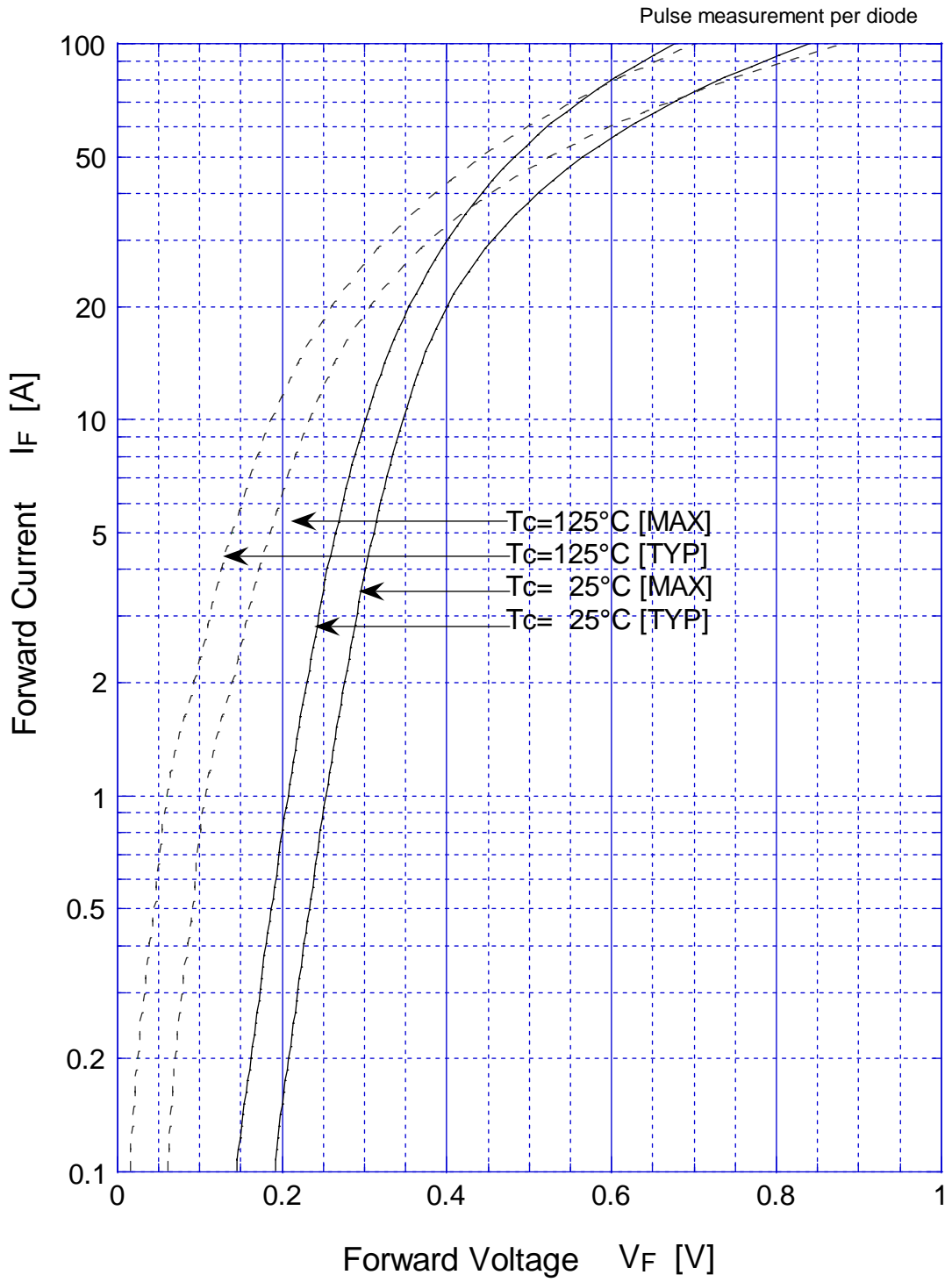
● Absolute Maximum Ratings ($T_c=25^\circ\text{C}$, unless otherwise specified)

Item	Symbol	Conditions	Ratings	Unit
Storage Temperature	T_{stg}		-55 ~ 125	$^\circ\text{C}$
Operating Junction Temperature	T_j		125	$^\circ\text{C}$
Maximum Reverse Voltage	V_{RM}		30	V
Average Rectified Forward Current	I_o	50Hz sine wave, R-load, Rating for each diode $I_o/2$, $T_c=105^\circ\text{C}$	40	A
Peak Surge Forward Current	I_{FSM}	50Hz sine wave, Non-repetitive 1 cycle peak value, $T_j=25^\circ\text{C}$	400	A
Mounting Torque	TOR	(Recommended torque: 0.5N·m)	0.8	N·m

● Electrical Characteristics ($T_c=25^\circ\text{C}$, unless otherwise specified)

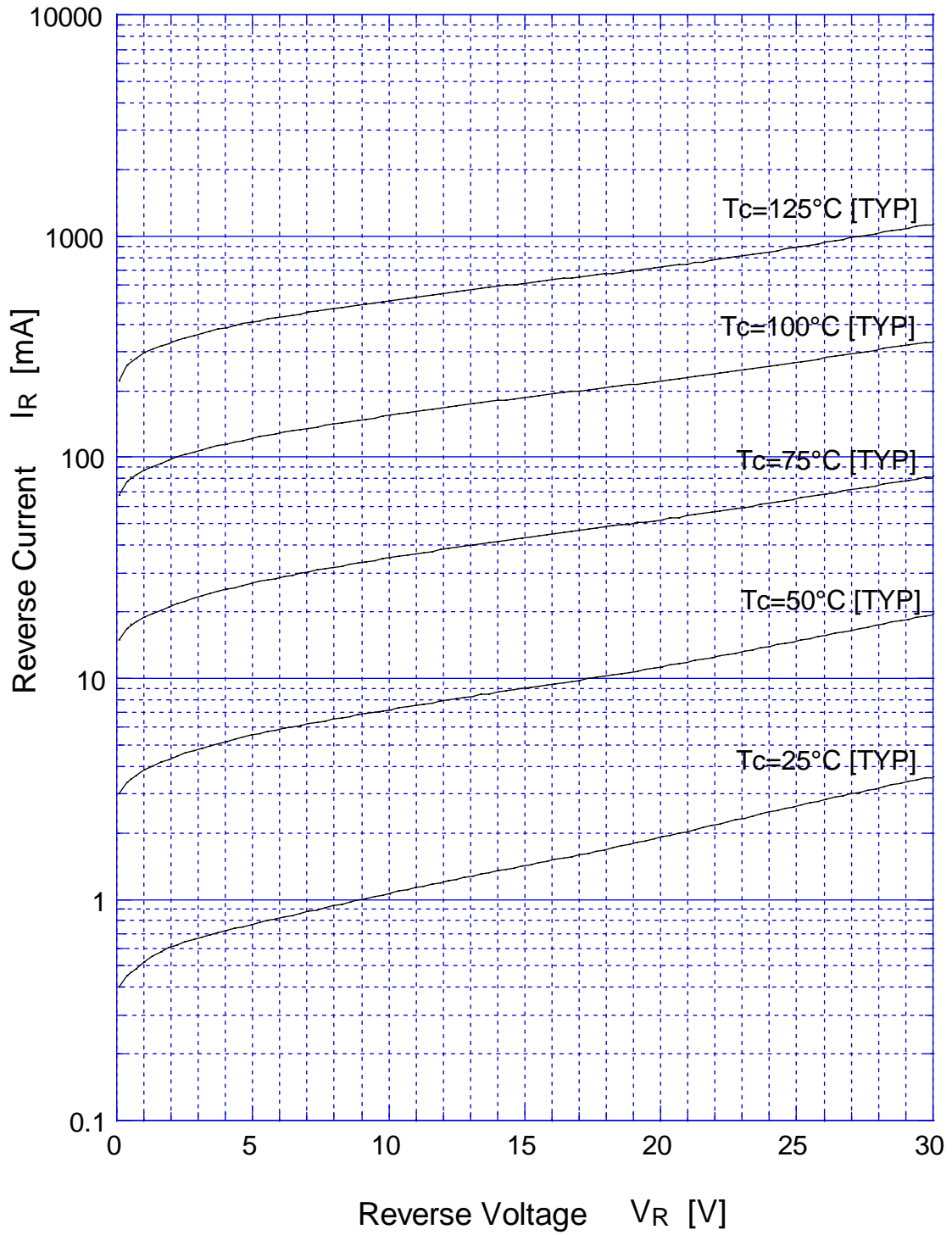
Item	Symbol	Conditions	Ratings	Unit
Forward Voltage	V_F	$I_F=20\text{A}$, Pulse measurement, Rating of per diode	Max 0.4	V
Reverse Current	I_R	$V_R=30\text{V}$, Pulse measurement, Rating of per diode	Max 15	mA
Junction Capacitance	C_j	$f=1\text{MHz}$, $V_R=10\text{V}$, Rating of per diode	Typ 800	pF
Thermal Resistance	θ_{jc}	junction to case	Max 0.7	$^\circ\text{C/W}$

S40HC3 Forward Voltage

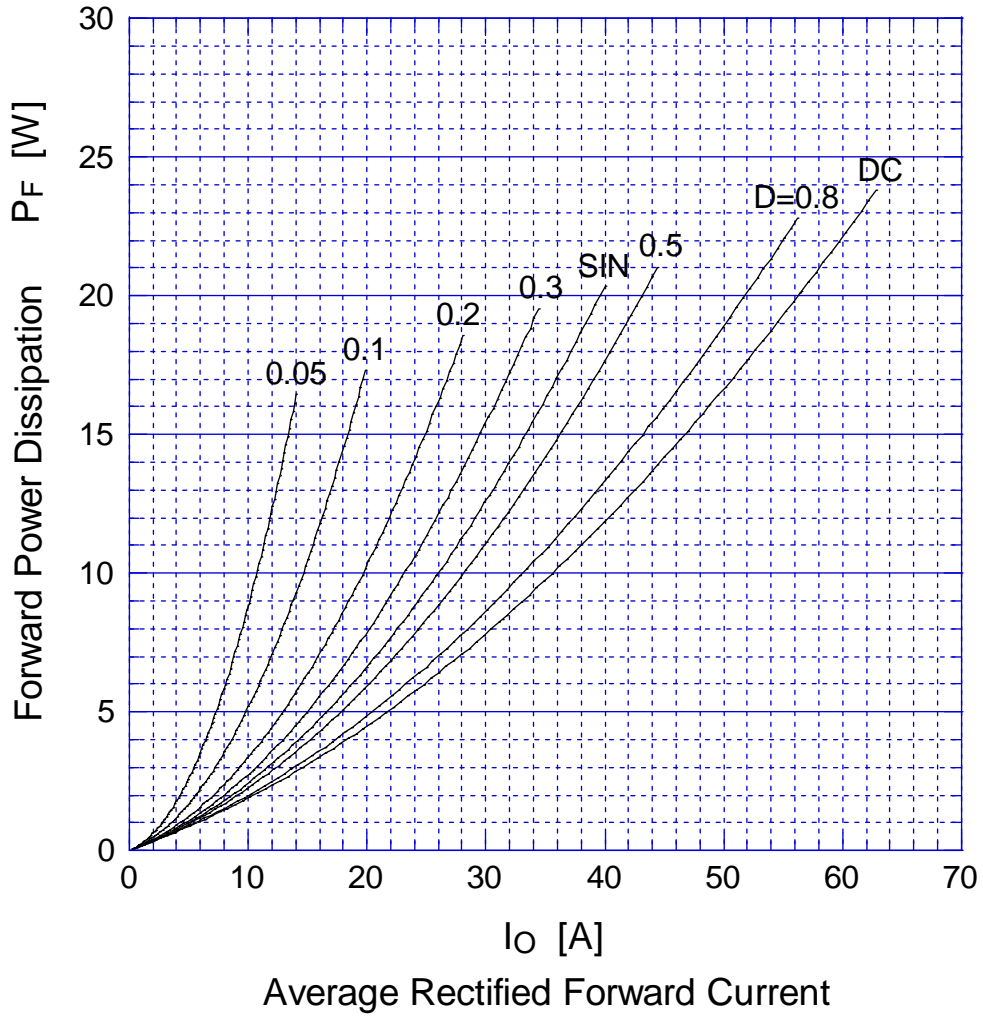


S40HC3 Reverse Current

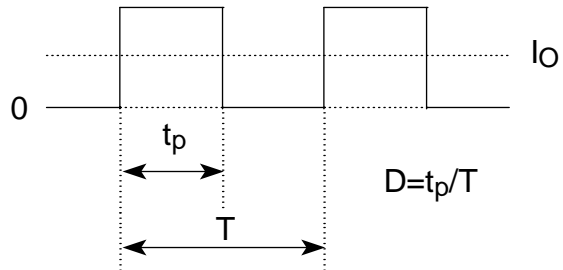
Pulse measurement per diode



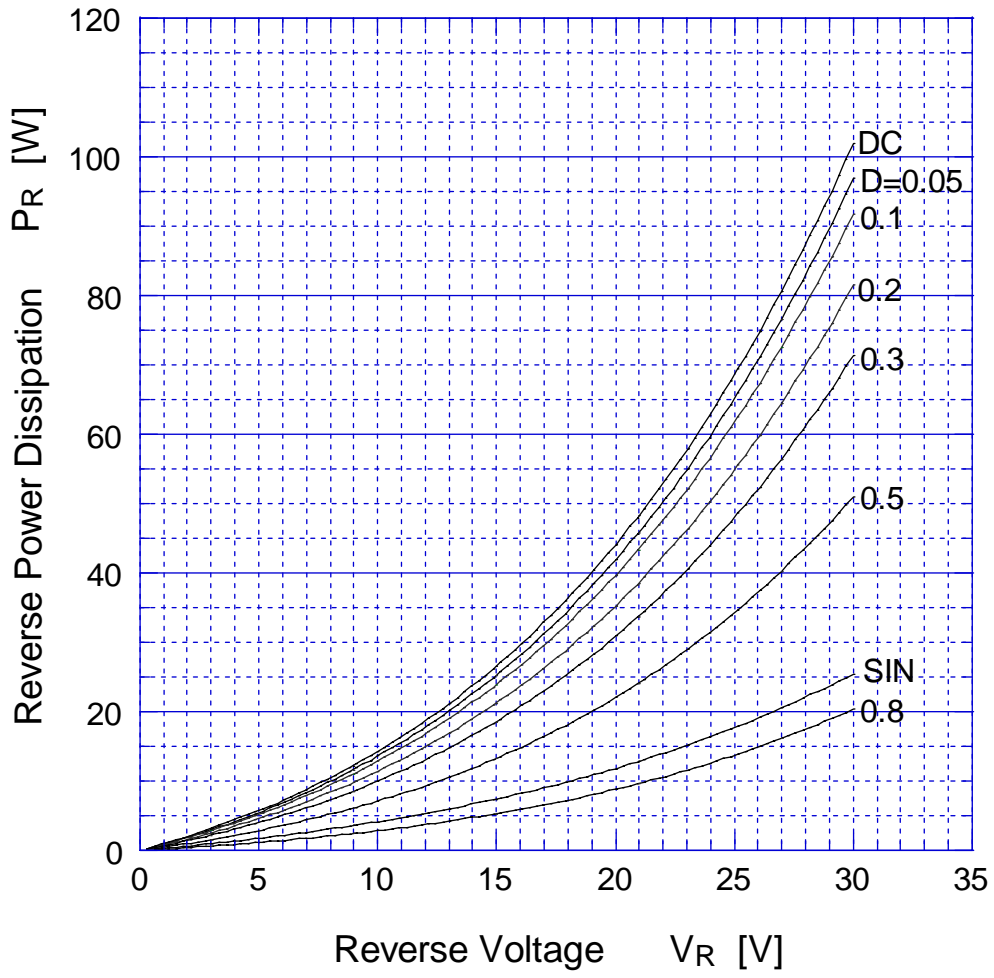
S40HC3 Forward Power Dissipation



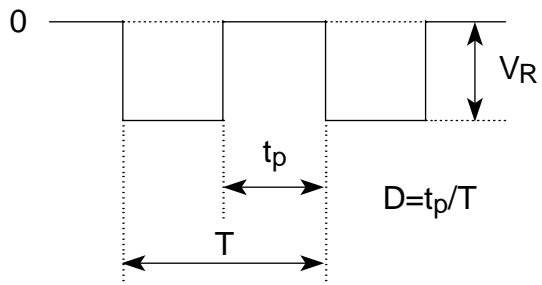
$T_j = 125^\circ\text{C}$



S40HC3 Reverse Power Dissipation

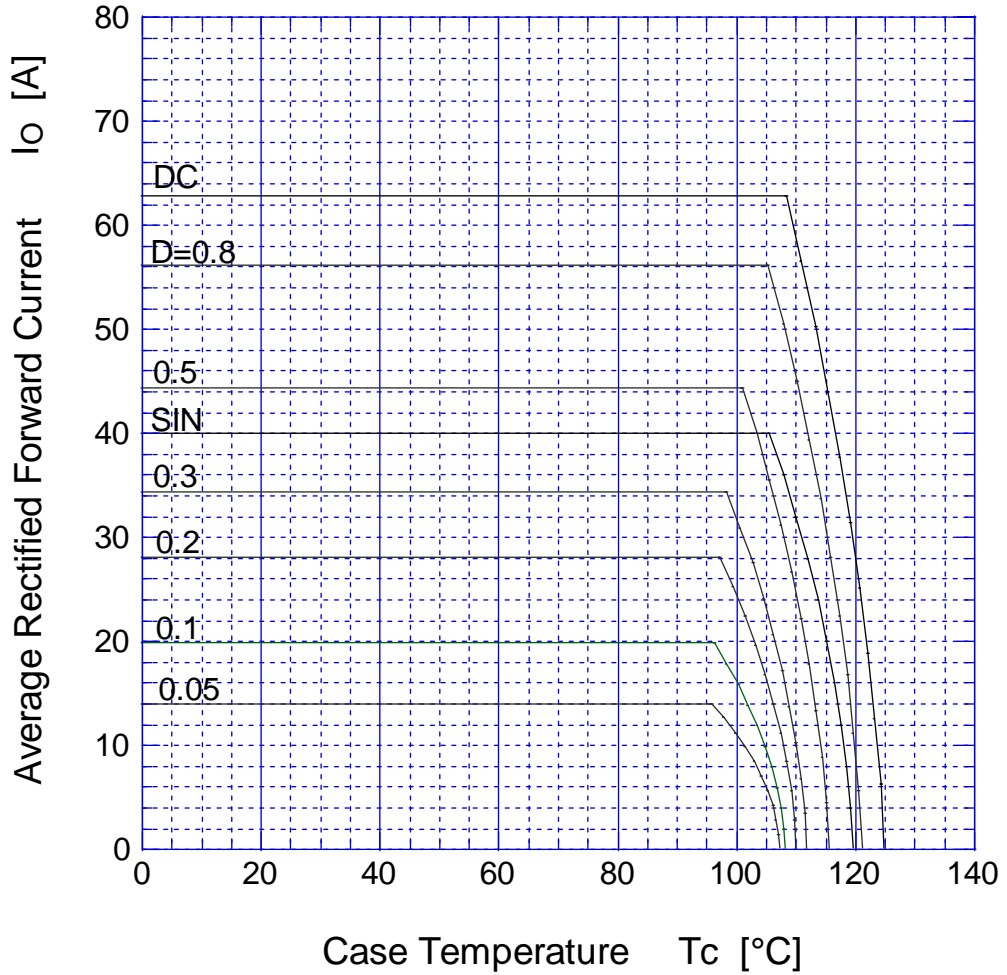


$T_j = 125^\circ\text{C}$

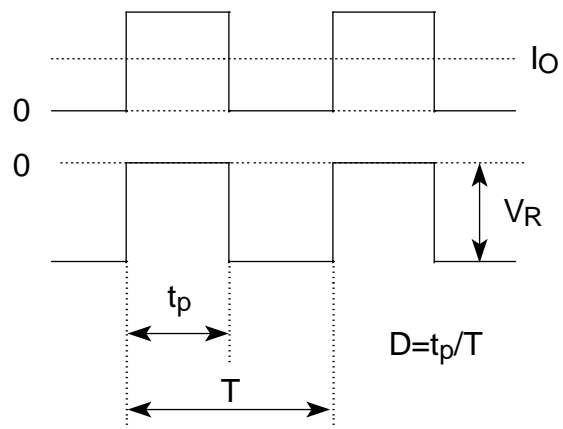


S40HC3

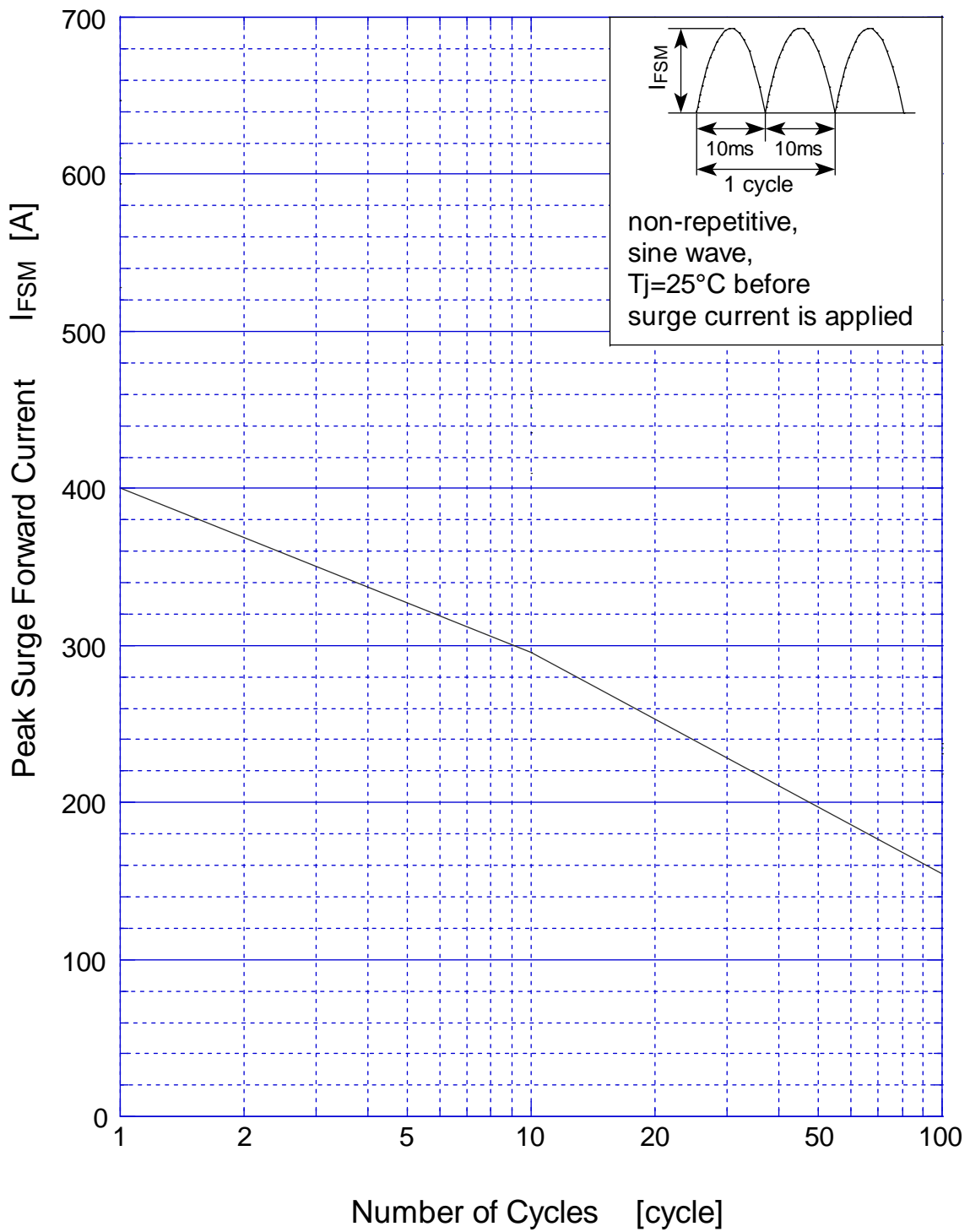
Derating Curve



$V_R = 15V$



S40HC3 Peak Surge Forward Capability



S40HC3 Junction Capacitance

