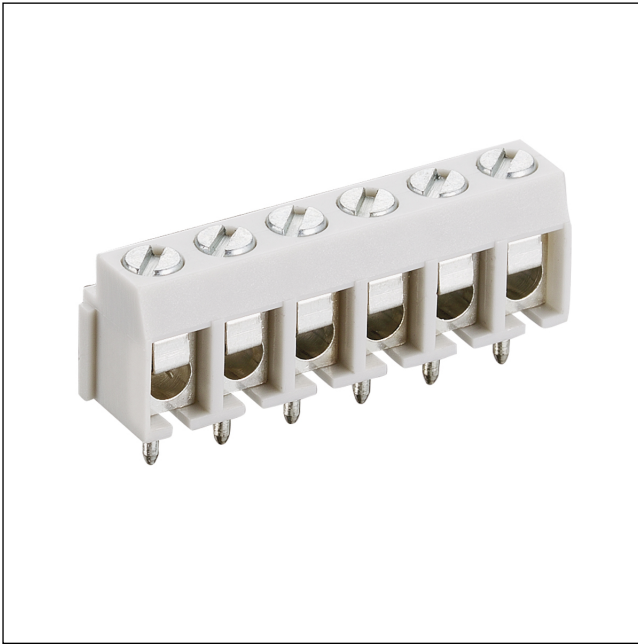


61 KRM

Screw terminal blocks, pitch 3.5/5.0/10.0 mm

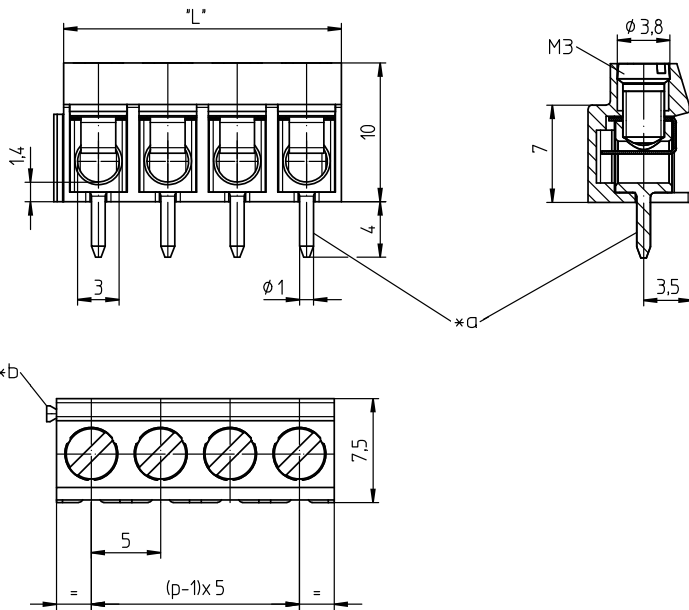


Screw terminal block, clamp with wire protector, upright version, stringable without loss of pitch

State: Active

Approvals:    

61 KRM



- *a bore hole of printed circuit board \varnothing 1.3 mm
- *b dovetail joint without loss of pitch

Environmental conditions

Temperature range	-25 °C/+110 °C ¹
¹ Dauergebrauchstemperatur (nach IEC 60216) nach Materialdatenblatt	

Materials

Insulating body	PA, V-2 according to UL94
Clamp	CuZn, pre-nickel and tin-plated
Wire protector	CuSn, nickel-plated
Screw	steel, zinc-plated and chromatiert

Mechanical data

Screw size	M3
Tightening torque screw	0,5 Nm

Connectable conductors for screw clamp

Section stranded wire	0,2-2,5 mm ² AWG 22-14 (UL, CSA)
Section solid wire	0,2-2,5 mm ² AWG 22-12 (UL)/AWG 22-14 (CSA)
Stripping length	7 ± 0,5 mm

Electrical data (at T_{amb} 20 °C)

Rated current	15 A (VDE, T _v 100 °C) 15 A (VDE, T _v 65 °C)
Rated voltage	250 V AC(VDE, UL)/300 V-B (CSA)
Material group	I (IEC)/0 (UL) (CTI ≥ 600)
Creepage distance	1.3 mm, with maximum section connected (solid conductor 2.5 mm ²)
Clearance	1.3 mm, with maximum section connected (solid conductor 2.5 mm ²)
Insulation resistance	> 10 GΩ

61 KRM

Designation	Pole Number	PU (Pieces)	MDQ (Pieces)	Dimensions L (mm)
KRM 02	2	200	1000	10
KRM 03	3	200	1000	15
KRM 04	4	200	1000	20
KRM 05	5	200	1000	25
KRM 06	6	200	1000	30
KRM 07	7	200	1000	35
KRM 08	8	200	1000	40
KRM 09	9	200	1000	45
KRM 11	11	200	1000	55
KRM 12	12	200	1000	60
KRM 16	16	200	1000	80

Packaging:

in bulk, in a cardboard box