

**SAW Filter 1199.0MHz**  
**Part No: MP04206**

**Model: TA1104A**  
**Rev No: 1**

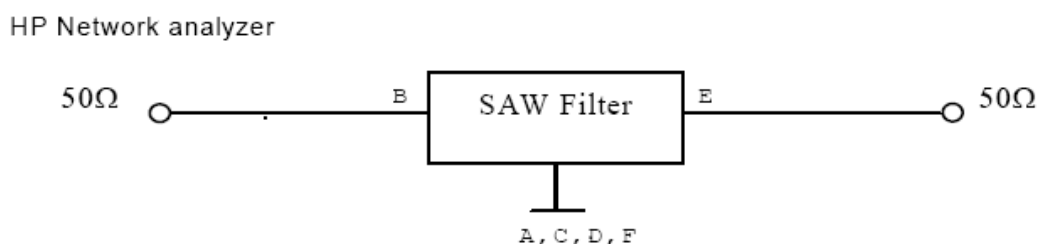
**A. MAXIMUM RATING:**

1. Input Power Level: 10dBm
2. DC voltage: 3V
3. Operating Temperature: -40°C to +85°C
4. Storage Temperature: -40°C to +85°C

**B. CHARACTERISTICS:**

Item	Unit	Min.	Typ.	Max.
Center frequency Fc	MHz	-	1199	-
Insertion loss 1145 ~ 1253MHz IL	dB	-	4.6	5.5
Pass Band Ripple 1145 ~ 1253MHz	dB	-	2.7	3.5
Group Delay Variation 1145 ~ 1253MHz	ns	-	15	30
Return loss 1145 ~ 1253MHz	dB	6	7.5	-
Attenuation (Reference level from 0dB)				
300 ~ 1000MHz	dB	18	25	-
1293 ~ 2000MHz	dB	9	16	-
Source impedance Z <sub>S</sub>	Ω	-	50	-
Load impedance Z <sub>L</sub>	Ω	-	50	-

**C. MEASUREMENT CIRCUIT:**

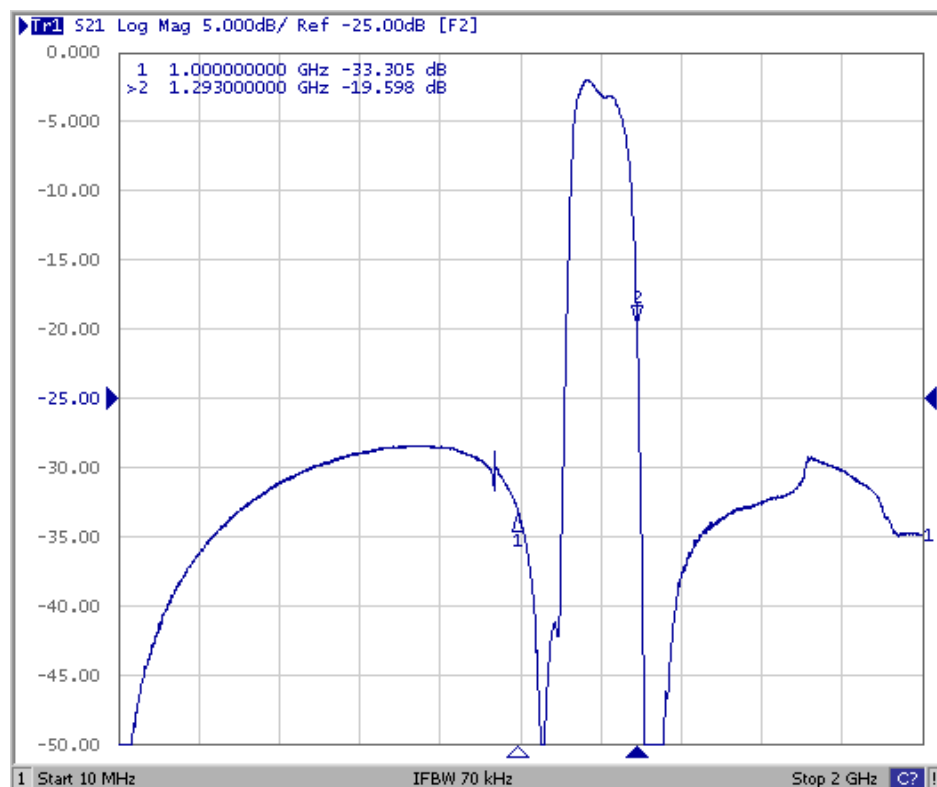
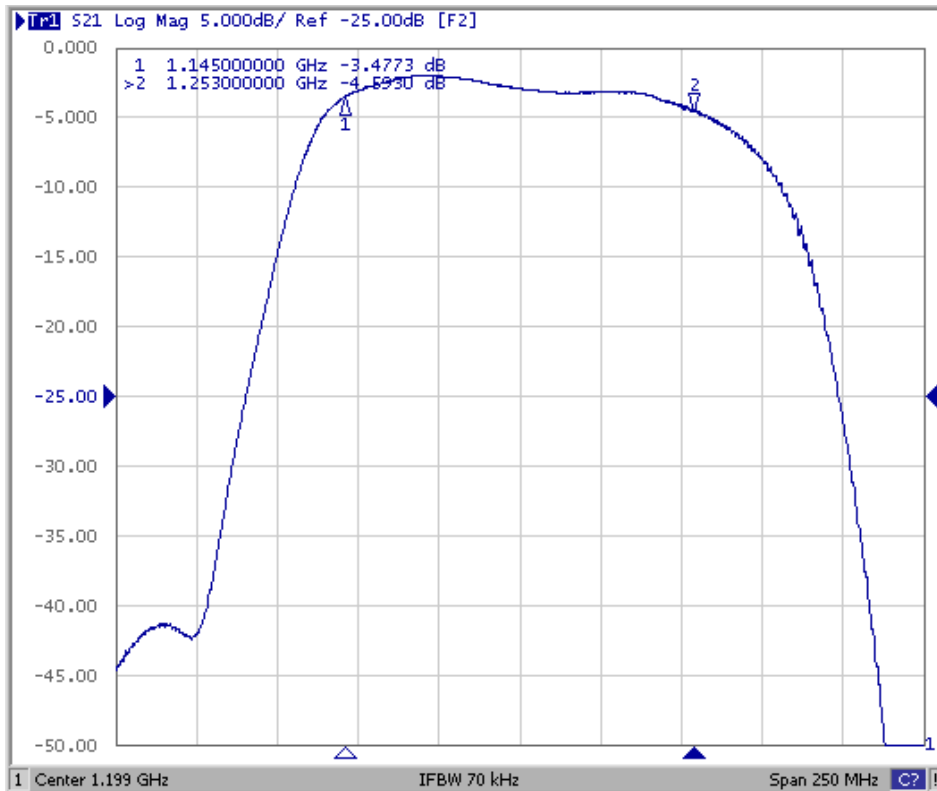


**SAW Filter 1199.0MHz**  
**Part No: MP04206**

**Model: TA1104A**  
**Rev No: 1**

**D. FREQUENCY CHARACTERISTICS:**

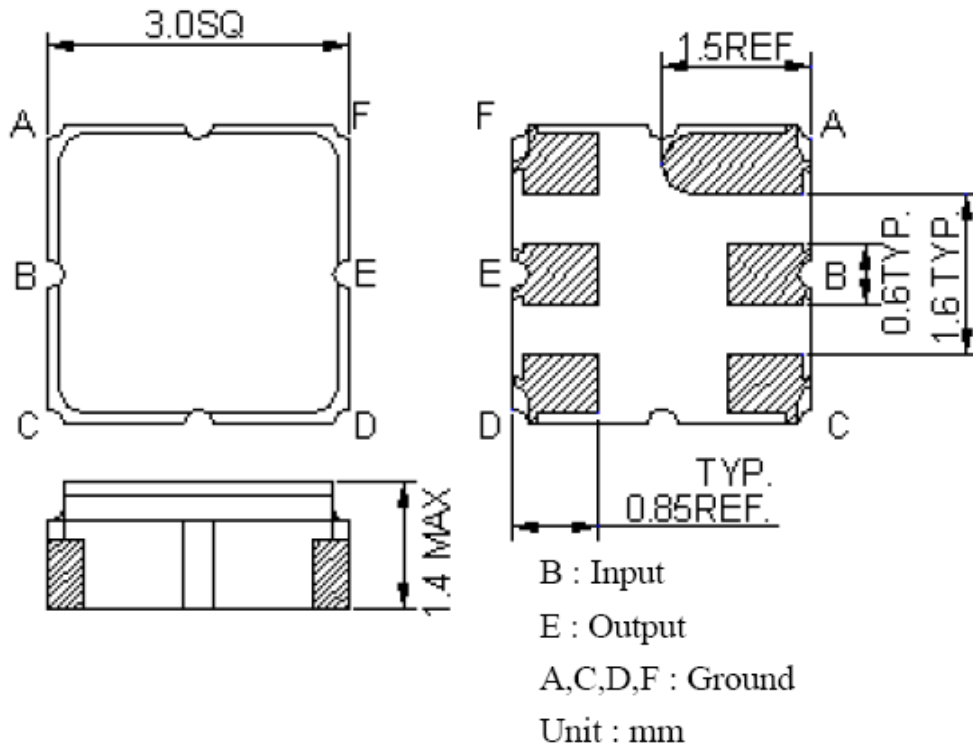
Transfer Function



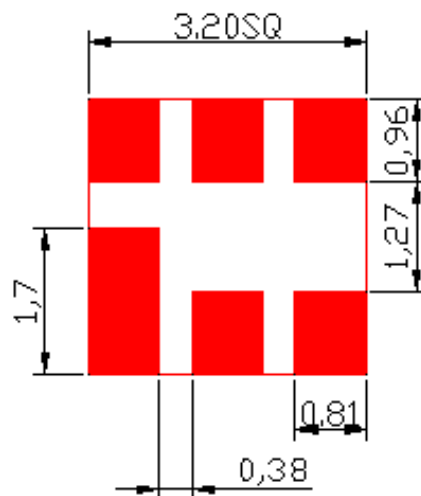
**SAW Filter 1199.0MHz**  
**Part No: MP04206**

**Model: TA1104A**  
**Rev No: 1**

**E. OUTLINE DRAWING:**



**F. PCB FOOTPRINT:**

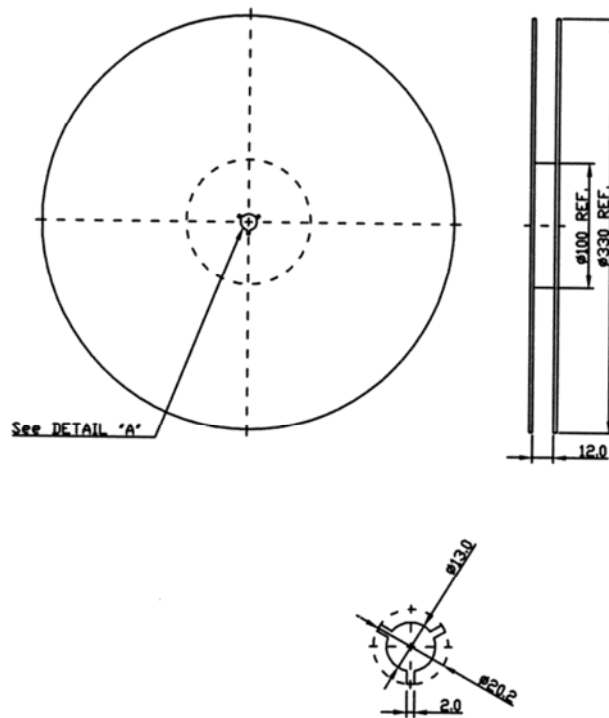


**SAW Filter 1199.0MHz**  
**Part No: MP04206**

**Model: TA1104A**  
**Rev No: 1**

**G. PACKING:**

1. Reel Dimension



2. Tape Dimension

