

SAW Filter 1902.0MHz
Part No: MP04388

Model: TA1121A
Rev No: 1

A. MAXIMUM RATING:

1. Input Power Level: 10dBm
2. DC Voltage: 3V
3. Operating Temperature: -20°C to +75°C
4. Storage Temperature: -30°C to +85°C

B. ELECTRICAL CHARACTERISTICS:

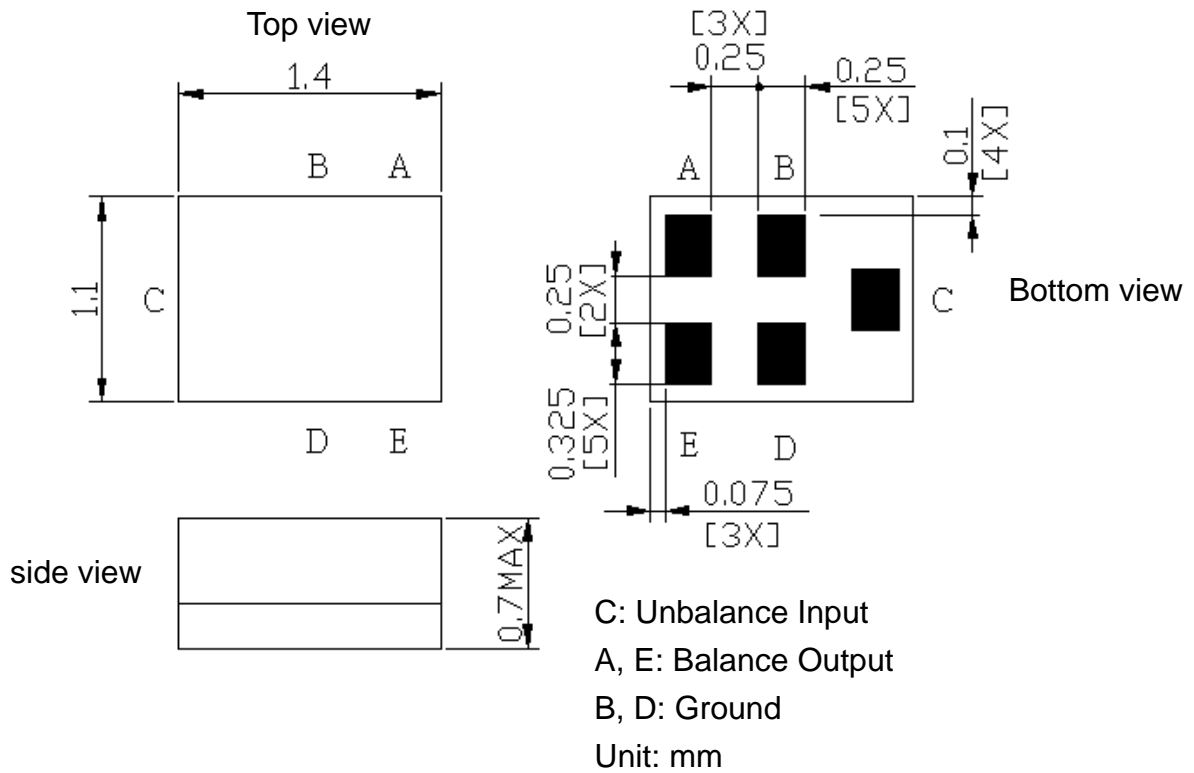
1. Terminating source impedance (single-ended): $Z_S = 50\Omega$
2. Terminating load impedance (differential): $Z_L = 200\Omega // 22nH$

Item	Unit	Min.	Typ.	Max.	Note
Center Frequency Fc	MHz	-	1902	-	-
Insertion Loss (1884.55 ~ 1919.45MHz) IL	dB	-	1.8	2.4	-
Amplitude ripple (1884.55 ~ 1919.45MHz)	dB	-	0.5	1	-
Output amplitude balance ($ S_{31}/S_{21} $) (1884.55~1919.45MHz)	dB	-3	+1.9	3	-
Output phase balance ($\Phi(S_{31})-\Phi(S_{21})+180^\circ$) (1884.55~1919.45MHz)	deg	-12	+6	12	-
VSWR (1884.55 ~ 1919.45MHz)		-	2	2.5	-
Attenuation					
1349 ~ 1455MHz	dB	35	40	-	-
1614 ~ 1687MHz	dB	35	46	-	-
1731 ~ 1801MHz	dB	34	36	-	-
1986 ~ 2056MHz	dB	18	22	-	-
2037 ~ 2039MHz	dB	25	33	-	-
2113 ~ 2186MHz	dB	35	42	-	-
2386 ~ 2451MHz	dB	40	48	-	-
3000 ~ 3840MHz	dB	40	51	-	-
4941 ~ 5760MHz	dB	35	48	-	-

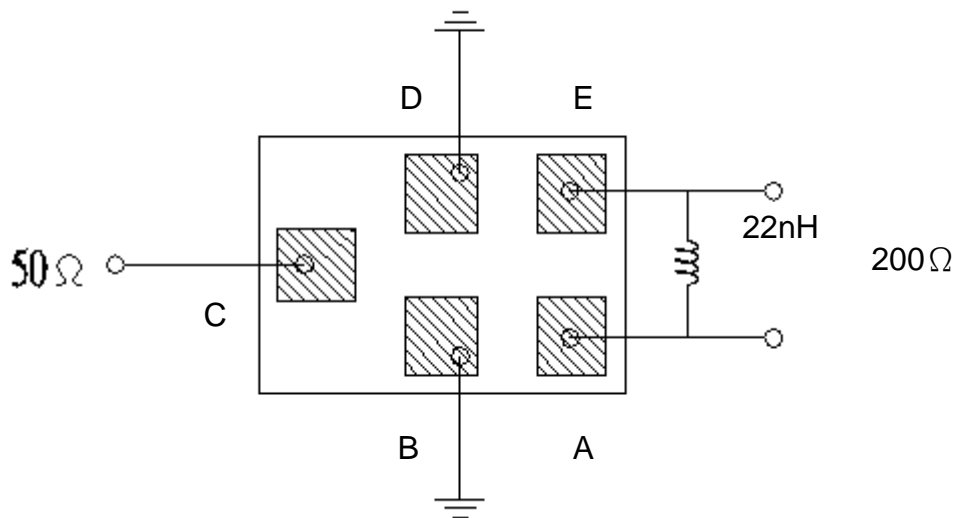
SAW Filter 1902.0MHz
Part No: MP04388

Model: TA1121A
Rev No: 1

C. OUTLINE DRAWING:



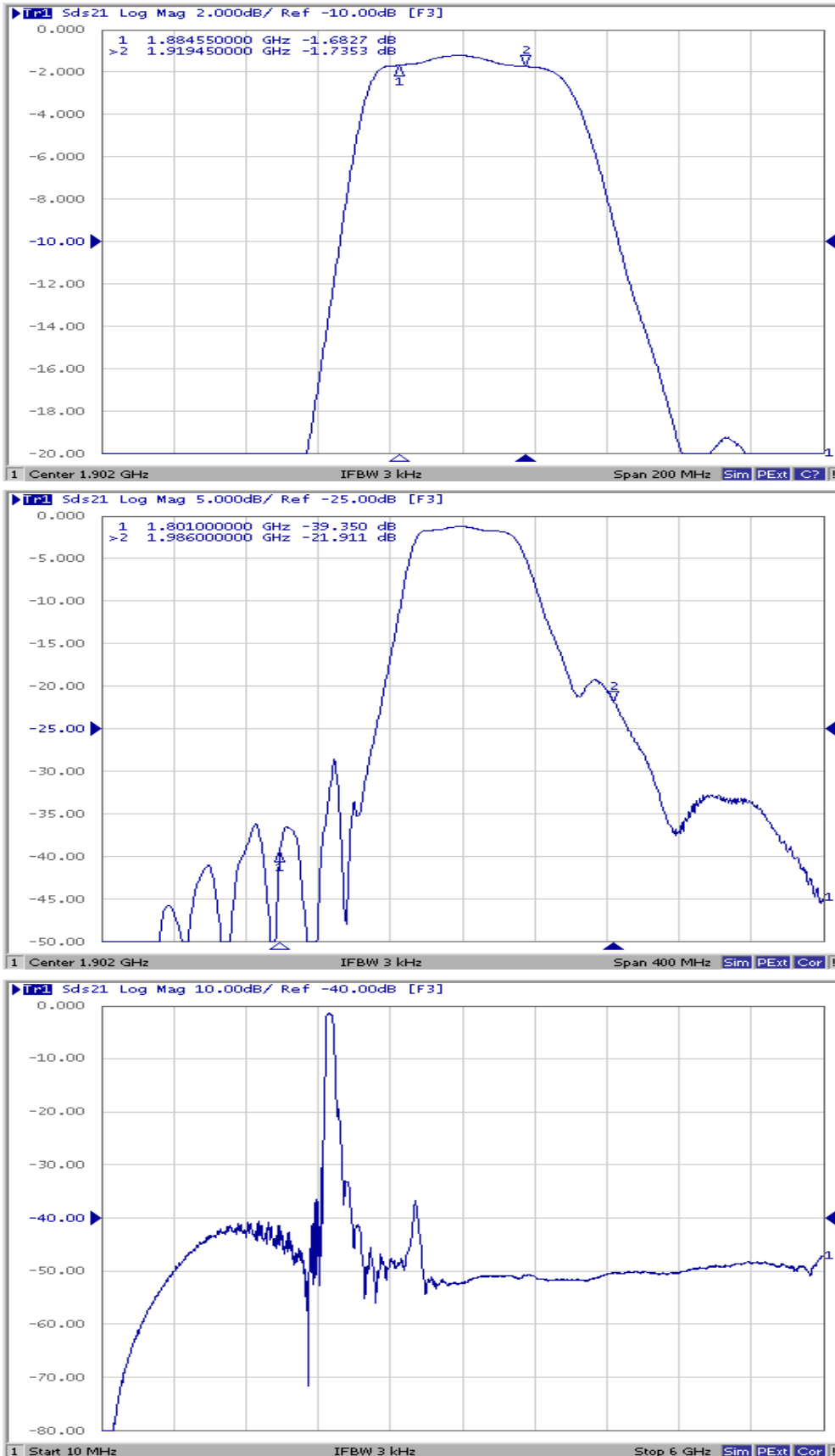
D. MEASUREMENT CIRCUIT:



SAW Filter 1902.0MHz
Part No: MP04388

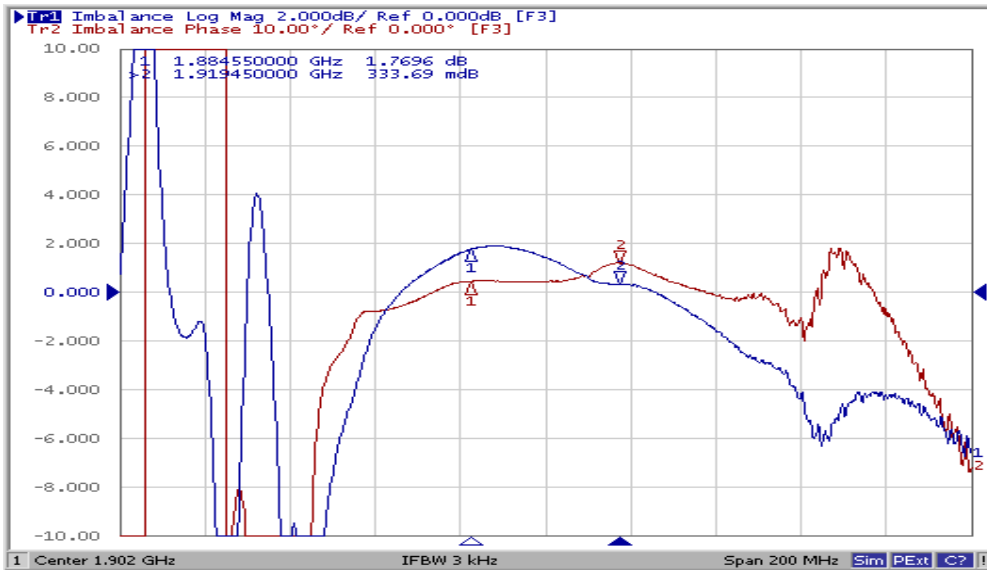
Model: TA1121A
Rev No: 1

E. FREQUENCY CHARACTERISTICS:

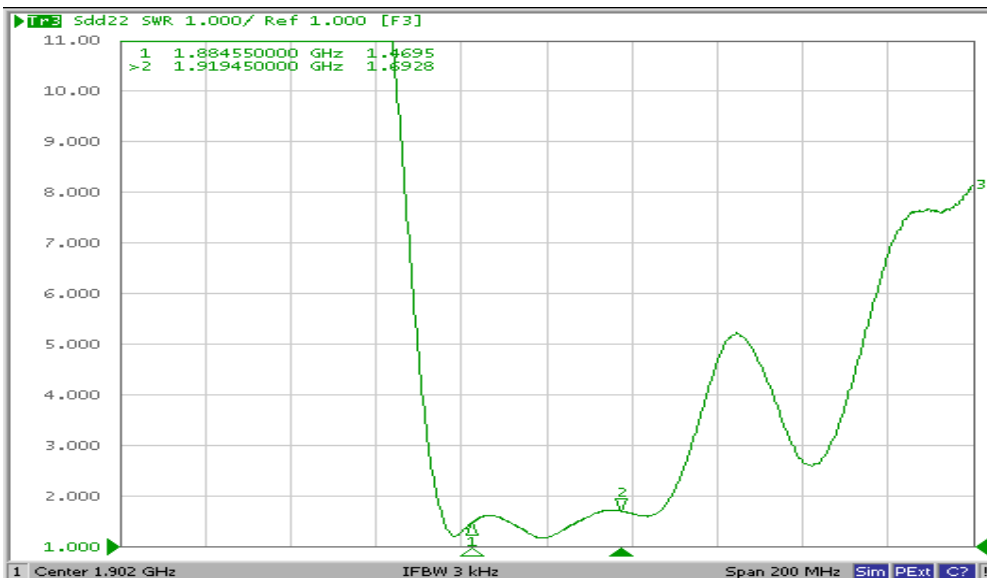
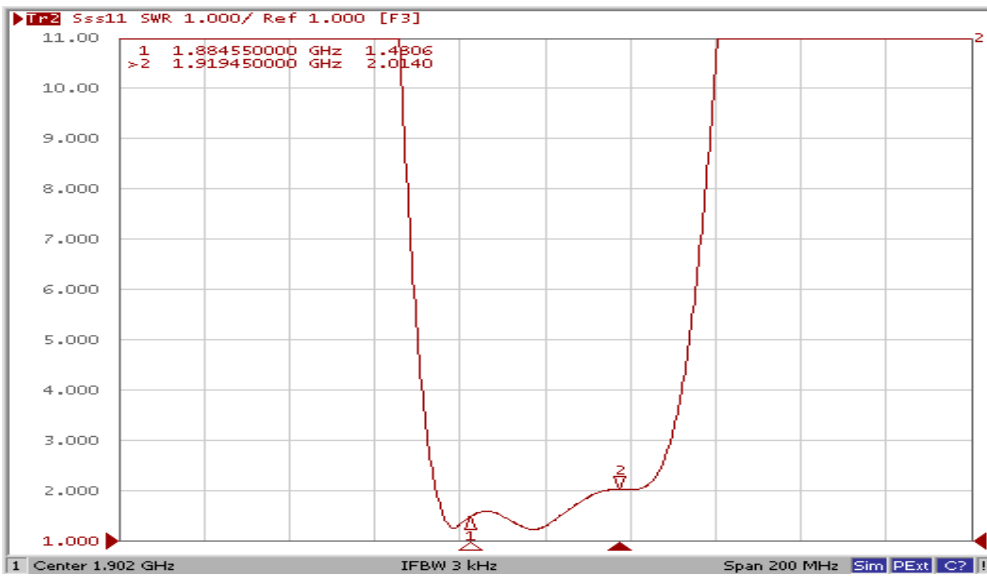


SAW Filter 1902.0MHz
Part No: MP04388

Model: TA1121A
Rev No: 1



Reflection Functions



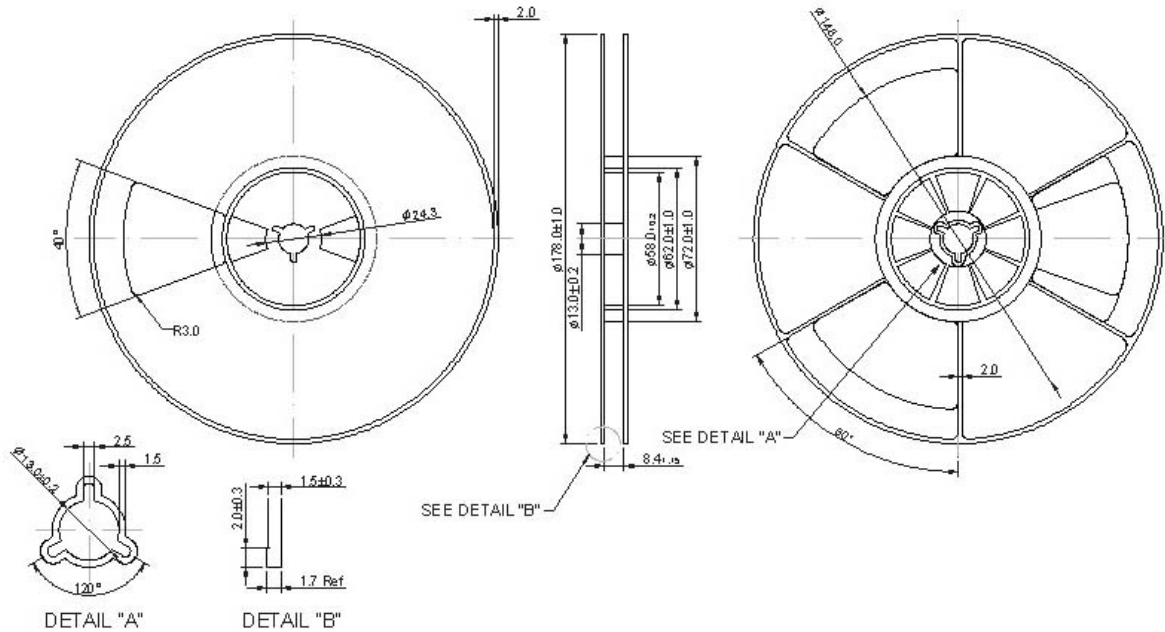
SAW Filter 1902.0MHz
Part No: MP04388

Model: TA1121A
Rev No: 1

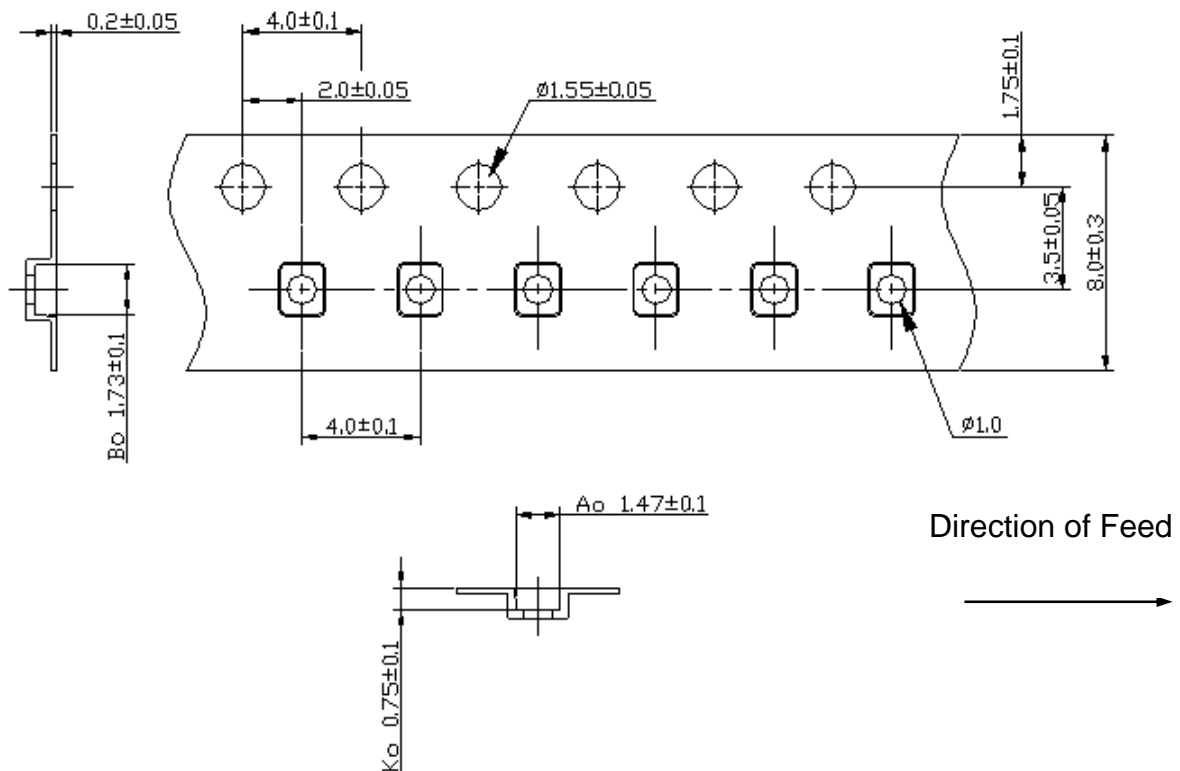
F. PACKING:

1. Reel Dimension

(Reel Count: 7" = 2000; 13" = 10000)



2. Tape Dimension



SAW Filter 1902.0MHz
Part No: MP04388

Model: TA1121A
Rev No: 1

G. RECOMMENDED REFLOW PROFILE:

