



96W TRV-096 Series
Switch Mode LED Drivers
Constant Voltage
Aluminum Housing

Electrical Specifications

Input Voltage Range: 100 - 277 Nom. Vac (90 - 305 V Min/Max)
 Frequency: 50/60 Hz Nom. (47-63 Hz Min/Max)
 Power Factor: >0.90 @ full load, 100V through 277V
 Input Current: 1.20 A @ 100Vac, 0.60 A @ 220VAC
 Inrush Current: 50 A @ 230Vac
 Maximum Power: 96W
 THD: ≤ 20% @ full load
 Line Regulation: ± 1%
 Load Regulation: ± 2%
 Typical Efficiency 88-90% @ full load
 Turn-on Delay: 0.80S
 Protection: Over-Voltage, Over-Current, Over-Temperature (110°C), and Short Circuit Protection with Auto Recovery

Environmental Specifications

Minimum Starting Temp: -35°C
 Maximum Case Temp. 89°C
 Storage Temperature: -40°C to +85°C
 Humidity: 5% to 100%
 Cooling: Convection
 Sound Rating: Class A
 MTBF: 400,000 Hours @ 25°C, 80% load, 110 Vac on 24V model
 Lifetime: 50,000 Hours @ 60°C max case temperature
 Weight: 1.87 lbs (850g)



- Total Power: 96 Watts
- Input Voltage: 100-277 Vac Nom.
- UL Dry, Damp & Wet Location Rated
- IP67
- Ultra-high Efficiency
- High Power Factor
- UL8750

Model Number	Max. Output Current (A)	Output Voltage (Vdc)	Max. Output Power (W)	Typical Efficiency
TRV-096S024ST	4.00	24	96	88%
TRV-096S036ST	2.66	36	96	89%
TRV-096S048ST	2.00	48	96	89%
TRV-096S054ST	1.77	54	96	90%

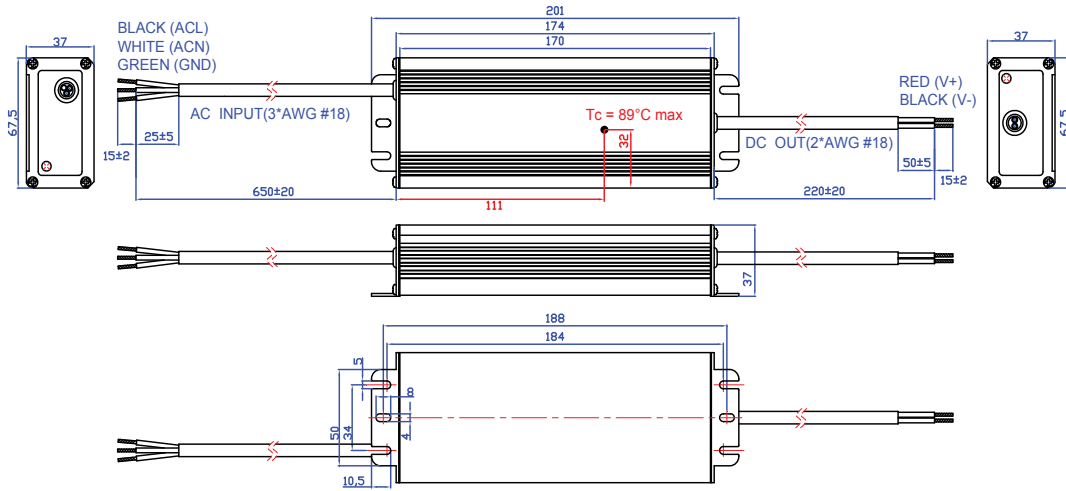
Class 2: US/Canada US Only



Note:
 LED drivers are designed and intended to operate LED loads only. Non-LED loading may be outside the specified design limits of our LED drivers, and therefore cannot be covered by any warranty. If you desire to use our LED drivers to operate non-LED loads please contact us to discuss compatibility.

Specifications subject to change without notice.

Rev 8-27-15



Safety and EMC Compliance	
CUL CE	UL 8750, UL923, UL1012, UL1310 Class 2 EN 61347-1, EN61347-2-13
EN 55015	Conducted emission
EN 61000-3-2	Harmonic current emissions
EN 61000-3-3	Voltage fluctuations and flicker
EN 61000-4-2	Electrostatic discharge
EN 61000-4-3	RFE Field Susceptibility test
EN 61000-4-4	Electrical Fast Transient
EN 61000-4-5	Surge Immunity test
EN 61000-4-6	Conducted Radio Frequency
EN 61000-4-8	Power Frequency Magnetic Field Test
EN 61000-4-11	Voltage Dips
EN 61547	Electromagnetic Immunity