

THIS DRAWING IS UNPUBLISHED.

RELEASED FOR PUBLICATION

20

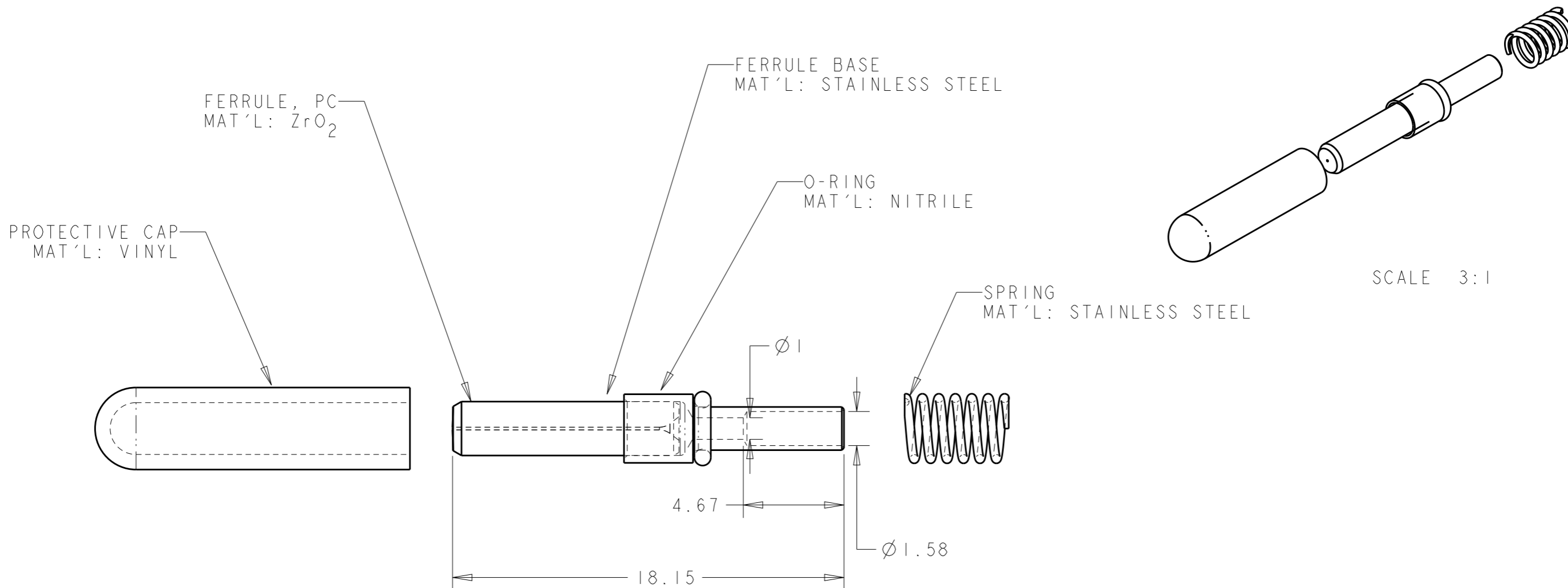
© COPYRIGHT 20 BY -

ALL RIGHTS RESERVED.


REVISIONS

P	LTR	DESCRIPTION	DATE	DWN	APVD
B		ECR-05-017300	12DEC05	KG	DW
C		ECR-15-003024	08DEC2015	KG	DW
D		ECR-17-000370	13JAN2017	KG	DW

1. ALL DIMENSIONS ARE FOR REFERENCE ONLY.



125.5um	1754700-3
126um	1754700-2
125um	1754700-1
FIBER HOLE DIAMETER	PART NUMBER

THIS DRAWING IS A CONTROLLED DOCUMENT.		DWN K. GLATFELTER 04 JUN 2004	 TE Connectivity	
DIMENSIONS: mm		CHK D. WERTMAN 08 JUN 2004		
TOLERANCES UNLESS OTHERWISE SPECIFIED:		APVD D. WERTMAN 11 JUN 2004	NAME FERRULE KIT, SEALED, PC, MINI EB	
0 PLC ± 1 PLC ± 2 PLC ± 3 PLC ± 4 PLC ± ANGLES ±		PRODUCT SPEC -	RESTRICTED TO -	
MATERIAL AS LISTED		FINISH N/A	APPLICATION SPEC -	SIZE A3
		WEIGHT -	CAGE CODE 00779	DRAWING NO 1754700
		CUSTOMER DRAWING	SCALE 5:1	SHEET 1 OF 1
			REV D	