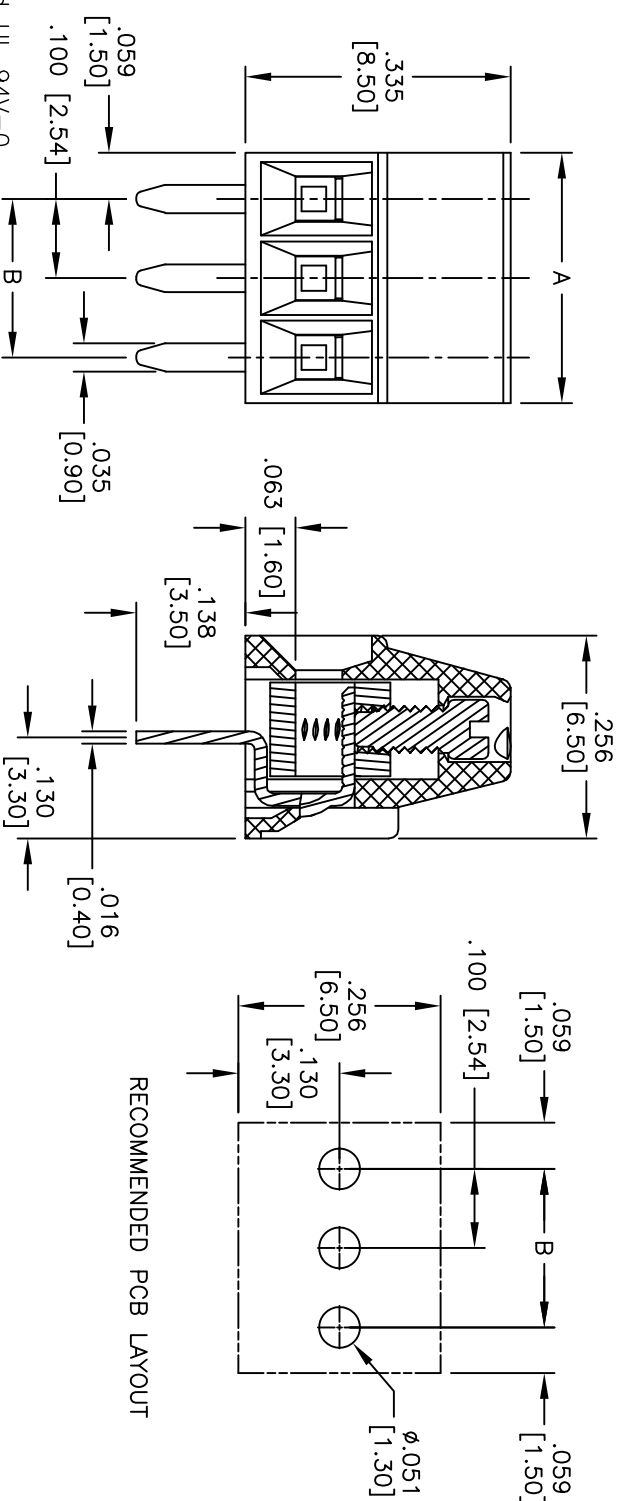
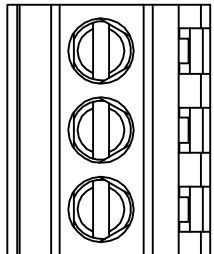


Rev	AWO #	Description	Date	Appr
-		RELEASED	6/14/10	

APPROVED: _____
 DATE: _____ TITLE: _____



RECOMMENDED PCB LAYOUT

Poles: 2 thru 24
 A = .100 [2.54] x No. of Poles + .016 [0.40]
 B = .100 [2.54] x No. of Spaces

SPECIFICATIONS:
 Material: Thermoplastic, rated UL 94V-0
 Insulator color: Green
 Contact: Brass
 Surface of solder toll: Tin plated
 Screw: M1.6, Steel, Zinc plated
 Electrical:
 Operation voltage: 125V
 Current rating: 6 Amps
 Withstanding Voltage: 1.25KV
 Mechanical:
 Wire range: 20-30 Awg
 Wire Strip length: 4-5mm
 Temperature:
 Operating temperature: -30°C to +105°C
 Environmental:
 Lead free, RoHS Compliant
 Recommended soldering temp: 235°C for 5 seconds



ADAM TECH
 909 Rahway Avenue, Union, NJ 07083
 Phone: 908-687-5000 Fax: 908-687-5710

TERMINAL BLOCK, .100" [2.54] PITCH

UNLESS OTHERWISE SPECIFIED ALL DIMENSIONS ARE MM [INCHES] TOLERANCES: EXCEPT AS NOTED		TITLE	
X ± .10	ØX ± .10	TERMINAL BLOCK, .100" [2.54] PITCH	
.XX ± .020	ØXX ± .015	909 Rahway Avenue, Union, NJ 07083	
XXX ± .015	ØXXX ± .010	Phone: 908-687-5000 Fax: 908-687-5710	
APPROVALS	DATE	REV.	
DRAWN	DY	6/14/10	
CHECKED		SIZE PART NO. EB108-XX-L	
APPROVED		REF: S0000TT SCALE: NTS SHEET 1 OF 1	