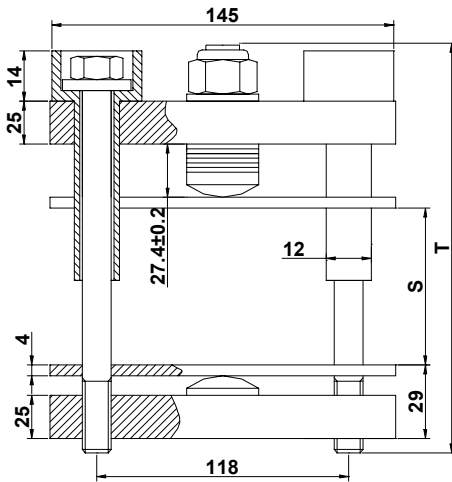


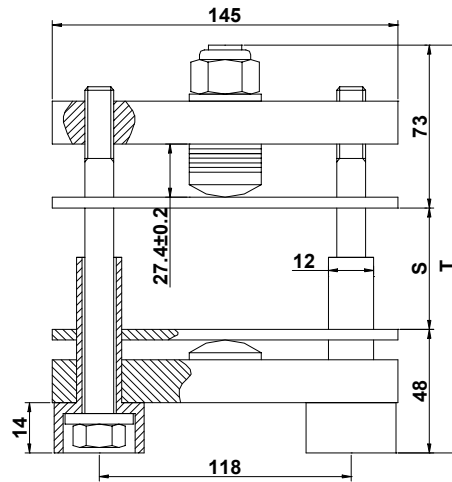
GC118...R

BAR CLAMP FOR HOCKEY PUKS

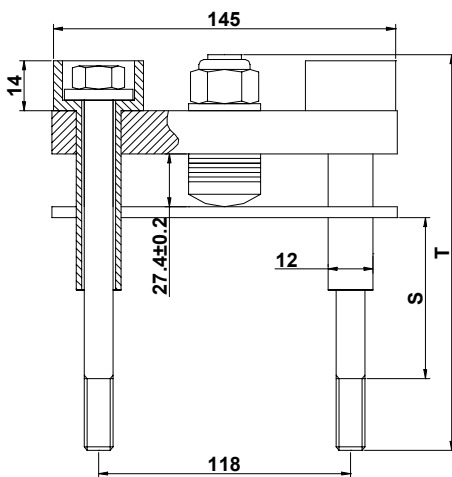
- Various lengths of bolts and insulators
- Round shaped clamping head for optimal clamping force application
- Pre-loaded to the specific clamping force
- Four clamps styles
- Gold iridite plating
- User friendly clamping force indicator
- UL94 certified insulation material



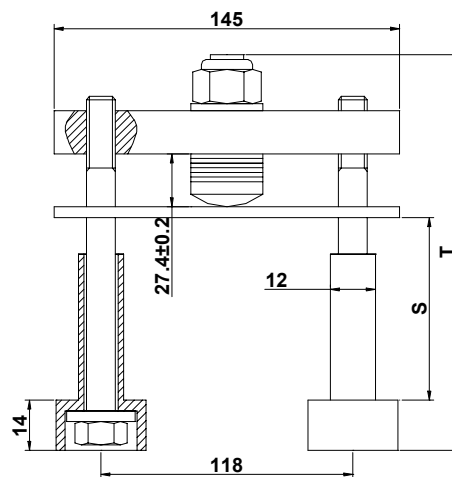
GC1182BN...R



GC118BR...R




GC118SN...R



GC118SR...R

Dimensions in millimeters

T: Max total height (see table)
S: Clearance allowed (see table)

Parameter	Unit	Types/Testing conditions/Notes	Values	
			Min	Max
Weight	g	GC118S...	930	1030
		GC118B...	1750	1870
Clamping Force*	kN	GC118...22	22	
		GC118...24	24	
		GC118...30	30	
		GC118...32	32	
Insulation Voltage	V _{RMS}	1 min	3000	
Insulating Material		UL File: E121562	 Noryl ®	
Max. working temperature	°C		110	
Min. working temperature	°C		-30	
Storage temperature	°C		-40/110	

* Other clamping forces available: contact factory

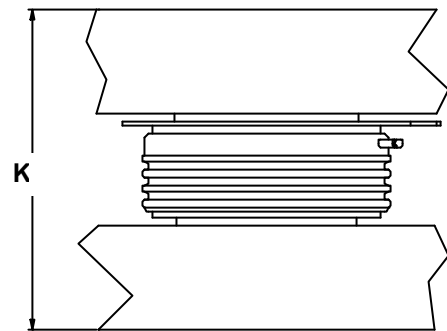
ORDERING INFORMATION TABLE

Clamps can be ordered using the following part numbering system

GC118 B N A B 20 R S

(1) (2) (3) (4) (5) (6)

(1) Construction type:	B = with double bar S = with single bar
(2) Insulator position:	N = upper side R = lower side
(3) Insulator code:	see table below
(4) Bolt code:	see table below
(5) Clamping force (in kN):	22
	24
	30
	32
(6) Special accessories	blank = no accessories
	S = extra metal spacer
	D = pressure disc in place of pressure bar



K: Total thickness of the assembly to be clamped

For thicknesses $S'_{Min} < K < S_{Min}$ an additional 4 mm thick metal spacer is needed (see list of special accessories)

Type GC118BN...: suggested insulator/bolt types

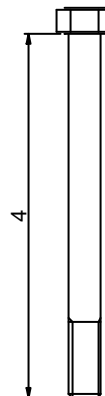
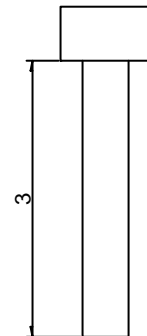
Allowed clearance S			Insulator choice		Bolt choice		Max height
S' Min [mm]**	S Min [mm]	SMax [mm]	(3)	Ins. Lenght [mm]	(4)	Bolt Lenght [mm]	T [mm]
15	19	25	B	70	A	110	125
25	29	35	B	70	B	120	135
35	39	45	B/C	70/95**	C	130	145
45	49	55	C	95	D	140	155
55	59	65	C	95	E	150	165
65	69	75	D	120	F	160	175

** with additional metal spacer only

Type GC118BR...: suggested insulator/bolt types

Allowed clearance S			Insulator choice		Bolt choice		Max height
S' Min [mm]**	S Min [mm]	SMax [mm]	(3)	Ins. Lenght [mm]	(4)	Bolt Lenght [mm]	T [mm]
15	19	25	A	50	A	110	139
25	29	35	A	50	B	120	149
35	39	45	A/B	50/70	C	130	159
45	49	55	B	70	D	140	169
55	59	65	B	70	E	150	179
65	69	75	C	95	F	160	189

** with additional metal spacer only

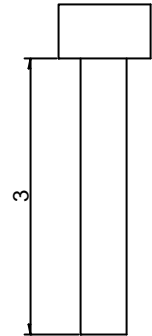


In the interest of product improvement Green Power Semiconductors reserves the right to change any specification given in this data sheet without notice.

Type GC118SN...: suggested insulator/bolt types

Allowed clearance S			Insulator choice		Bolt choice		Max height
S' Min[mm]**	S Min [mm]	SMax [mm]	(3)	Ins. Lenght [mm]	(4)	Bolt Lenght [mm]	T [mm]
24	28	33	B	70	A	110	120
34	38	43	B	70	B	120	130
44	48	53	B/C	70/95	C	130	140
54	58	63	C	95	D	140	150
64	68	73	C/D	95/120	E	150	160
74	78	83	D	120	F	160	170

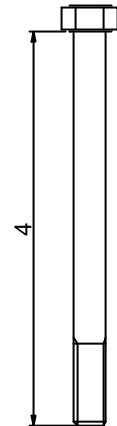
** with additional metal spacer only



Type GC118SR...: suggested insulator/bolt types

Allowed clearance S			Insulator choice		Bolt choice		Max height
S' Min[mm]**	S Min [mm]	SMax [mm]	(3)	Ins. Lenght [mm]	(4)	Bolt Lenght [mm]	T [mm]
49	53	59	A	50	A	110	139
59	63	69	A	50	B	120	149
69	73	79	A/B	50/70	C	130	159
79	83	89	B	70	D	140	169
89	93	99	B	70	E	150	179
99	103	109	C	95	F	160	189

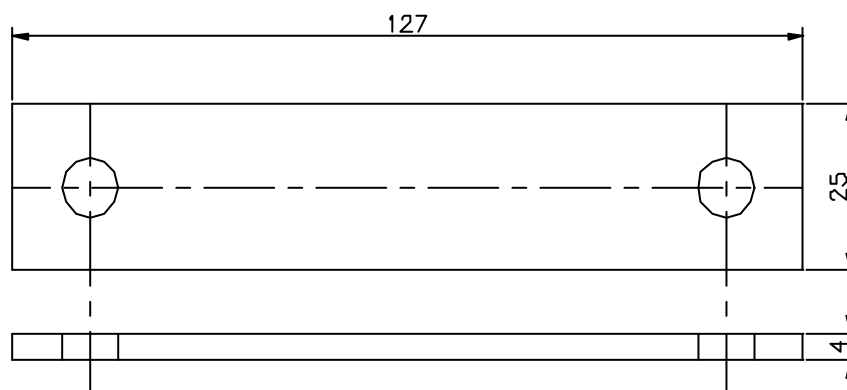
** with additional metal spacer only



SPECIAL ACCESSORIES

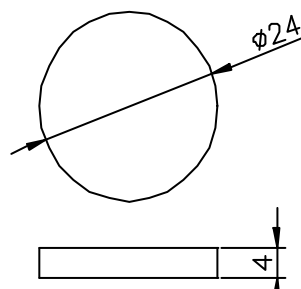
The following special accessories are available

Metal spacer



Pressure disc

Useful for grooved heatsink
Suggested groove diameter 27mm +/- 0.5



In the interest of product improvement Green Power Semiconductors reserves the right to change any specification given in this data sheet without notice.