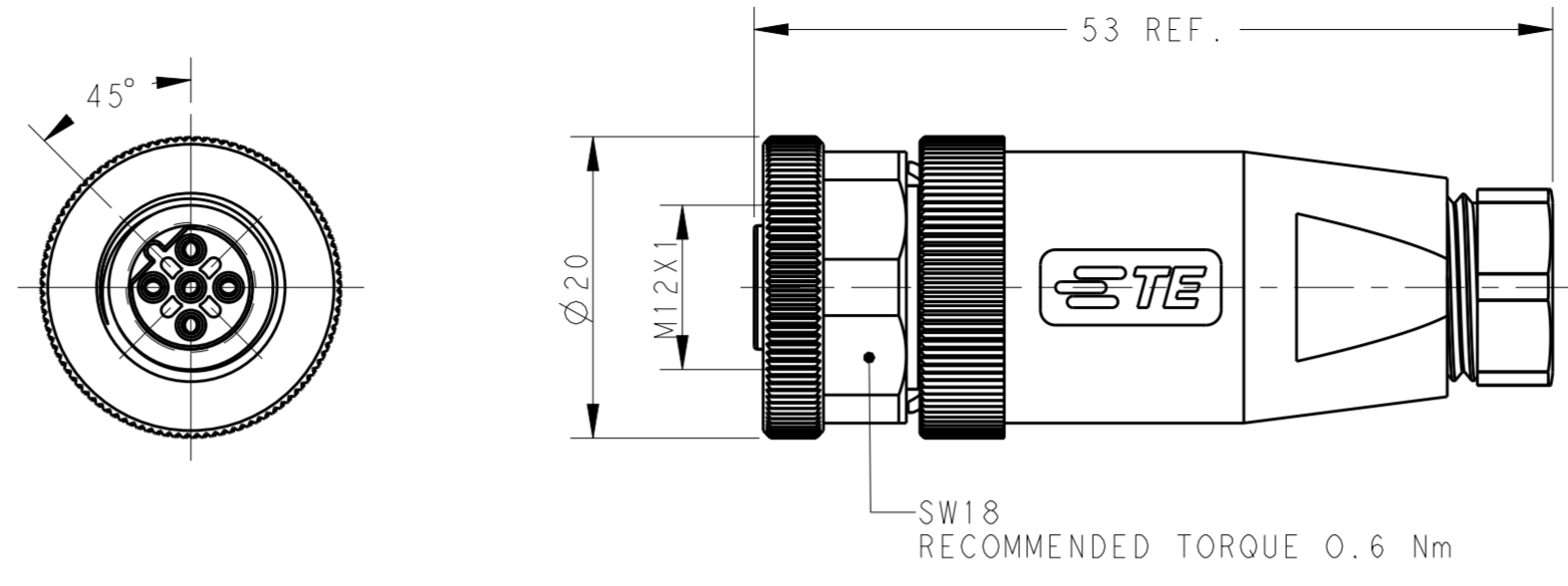


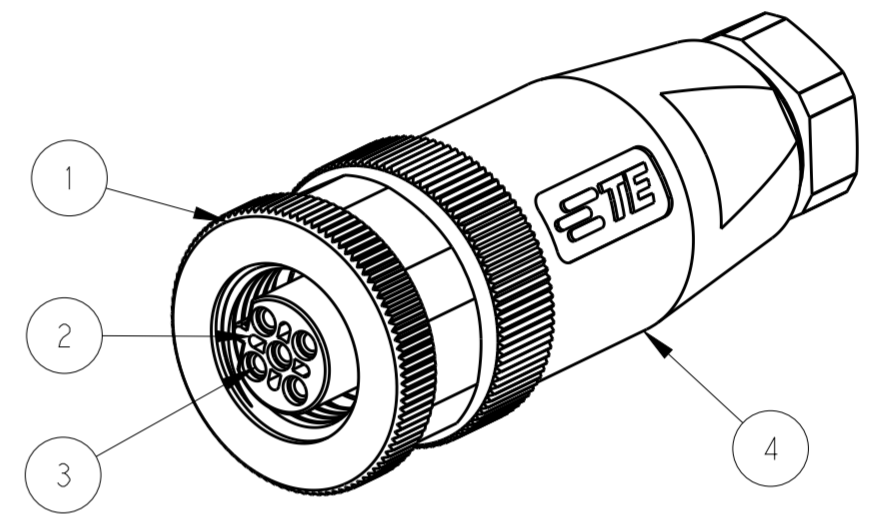
THIS DRAWING IS UNPUBLISHED. RELEASED FOR PUBLICATION 20
 © COPYRIGHT 20 BY - ALL RIGHTS RESERVED.

REVISIONS				
P	LTR	DESCRIPTION	DATE	APVD
A		INITIAL RELEASE	08JUL2015	NP XX
A1		ECR-15-018715 ADD 114SPEC.	29DEC2015	NP XX

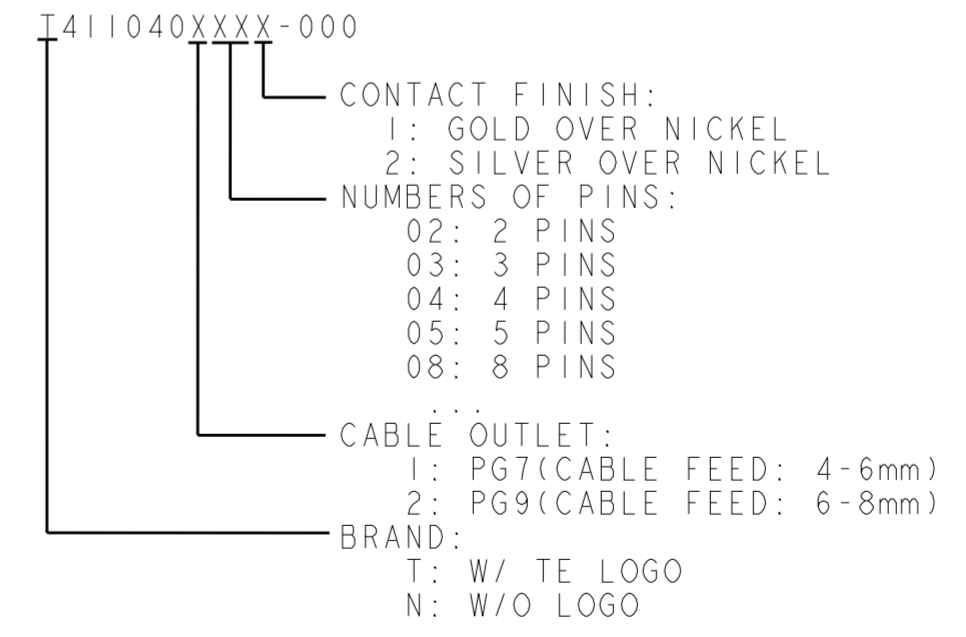


TECHNICAL DATA	T411040X02X-000	T411040X03X-000	T411040X04X-000	T411040X05X-000
RATED VOLTAGE	250V	250V	250V	60V
RATED CURRENT	4A	4A	4A	4A
POLLUTION DEGREE	3	3	3	3
OVERVOLTAGE CATEGORY	II	II	II	II
MATERIAL GROUP	II	II	II	II
CONTACT RESISTANCE	≤8mΩ	≤8mΩ	≤8mΩ	≤8mΩ
INSULATION RESISTANCE	>100MΩ	>100MΩ	>100MΩ	>100MΩ
DEGREE OF PROTECTION	IP67	IP67	IP67	IP67
OPERATION TEMPERATURE	-40~85°C	-40~85°C	-40~85°C	-40~85°C

T4110402051-000	RPC-M12B-FS-5CON-PG9-MU
T4110401051-000	RPC-M12B-FS-5CON-PG7-MU
T4110402052-000	RPC-M12B-FS-5CON-PG9-M
T4110401052-000	RPC-M12B-FS-5CON-PG7-M
T4110402041-000	RPC-M12B-FS-4CON-PG9-MU
T4110401041-000	RPC-M12B-FS-4CON-PG7-MU
T4110402042-000	RPC-M12B-FS-4CON-PG9-M
T4110401042-000	RPC-M12B-FS-4CON-PG7-M
T4110402031-000	RPC-M12B-FS-3CON-PG9-MU
T4110401031-000	RPC-M12B-FS-3CON-PG7-MU
T4110402032-000	RPC-M12B-FS-3CON-PG9-M
T4110401032-000	RPC-M12B-FS-3CON-PG7-M
T4110402021-000	RPC-M12B-FS-2CON-PG9-MU
T4110401021-000	RPC-M12B-FS-2CON-PG7-MU
T4110402022-000	RPC-M12B-FS-2CON-PG9-M
T4110401022-000	RPC-M12B-FS-2CON-PG7-M
TE PN	SIBAS PN



- NOTE:
- MATERIAL:
 - ITEM NO.1: NUT -BRASS
 - ITEM NO.2: HOUSING -PA
 - ITEM NO.3: CONTACT -BRONZE
 - ITEM NO.4: HOUSING BODY: -PBT+GF
 - CONTACT FINISH: GOLD OVER NICKEL OR SILVER OVER NICKEL
 - CABLE WIRES: 18AWG/0.75mm² Max. FOR 2-5 PINS
 - ALLDIMENSIONS ARE FOR NOMINAL REFERENCE ONLY UNLESS OTHERWISE STATED
 - PACKAGEING: IPIECE IN A BAG
 - PN INFORMATION



PIN ARRANGEMENT B-CODE		
T411040X02X-000	T411040X03X-000	T411040X04X-000
T411040X05X-000		

THIS DRAWING IS A CONTROLLED DOCUMENT.		DWN HAO WANG 08JAN2015	TE Connectivity															
		CHK KOBBY ZHAO 08JAN2015																
		APVD XIANG XU 08JAN2015	NAME M12 FEMALE, B CODE, STRAIGHT UNSHIELDED CONNECTOR SCREW TERMINAL															
DIMENSIONS: mm		TOLERANCES UNLESS OTHERWISE SPECIFIED:	PRODUCT SPEC 108-106140															
<table border="1"> <tr><td>0 PLC</td><td>±</td></tr> <tr><td>1 PLC</td><td>±0.2</td></tr> <tr><td>2 PLC</td><td>±0.2</td></tr> <tr><td>3 PLC</td><td>±</td></tr> <tr><td>4 PLC</td><td>±</td></tr> <tr><td>ANGLES</td><td>±</td></tr> <tr><td>FINISH</td><td>-</td></tr> </table>		0 PLC	±	1 PLC	±0.2	2 PLC	±0.2	3 PLC	±	4 PLC	±	ANGLES	±	FINISH	-	APPLICATION SPEC 114-137144	SIZE A2	
0 PLC	±																	
1 PLC	±0.2																	
2 PLC	±0.2																	
3 PLC	±																	
4 PLC	±																	
ANGLES	±																	
FINISH	-																	
MATERIAL TBD		WEIGHT -	DRAWING NO. C-T411040XXXX000															
		Customer Drawing	RESTRICTED TO -															
		SCALE 1:1	SHEET 1 OF 1 REV A1															