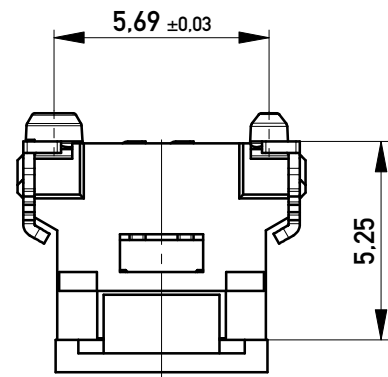
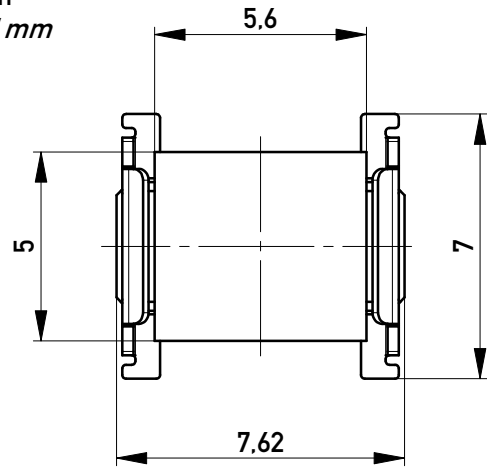


Anforderungsstufe 1  
Performance Level 1

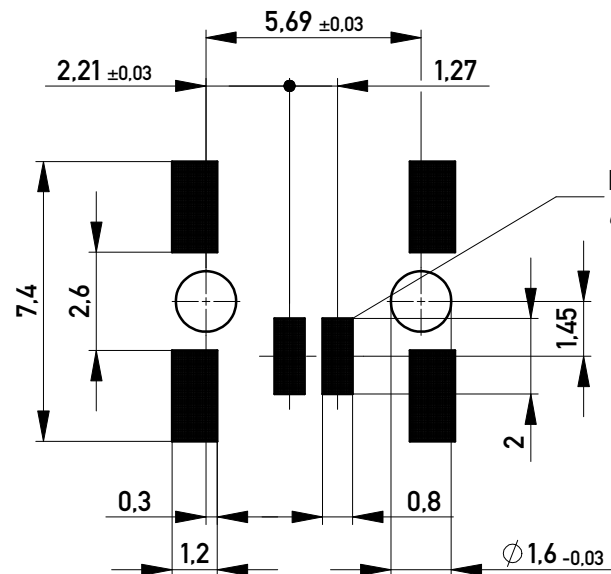
Kontaktbereich vergoldet  
Mating Area gold plating

Anschlussbereich verzinkt 4-6 µm  
Terminal Area 4-6 µm tin plating

Koplanarität der Anschlüsse ≤ 0,1 mm  
Coplanarity Area of Termination ≤ 0,1 mm

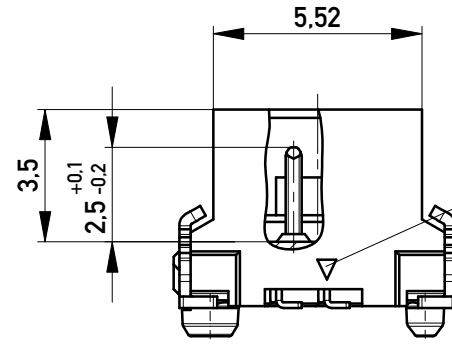


Leiterplatten-Layout für SMT  
PCB-Layout for SMT

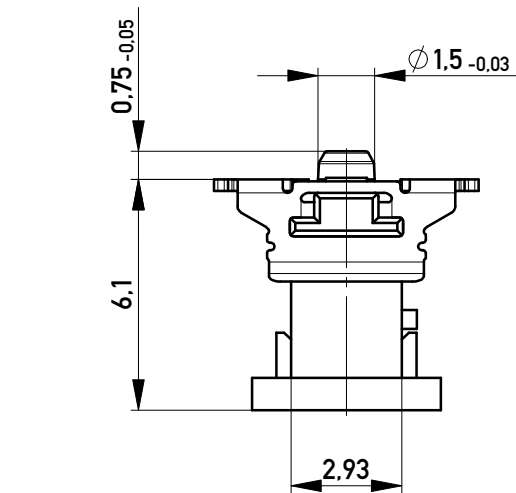
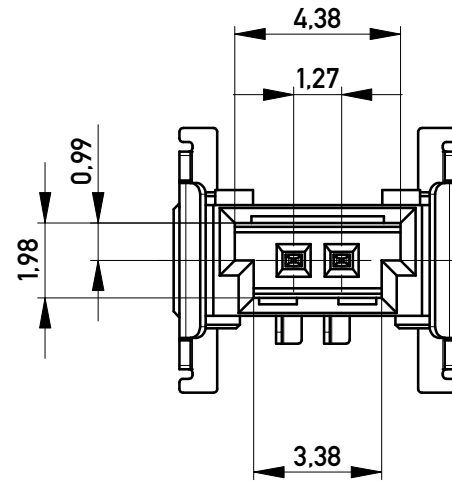


Kontaktbezeichnung bei Pin 1  
contact marking at pin 1

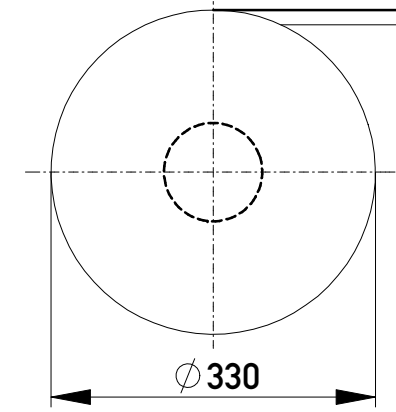
ohne Ansaughaube - without hood



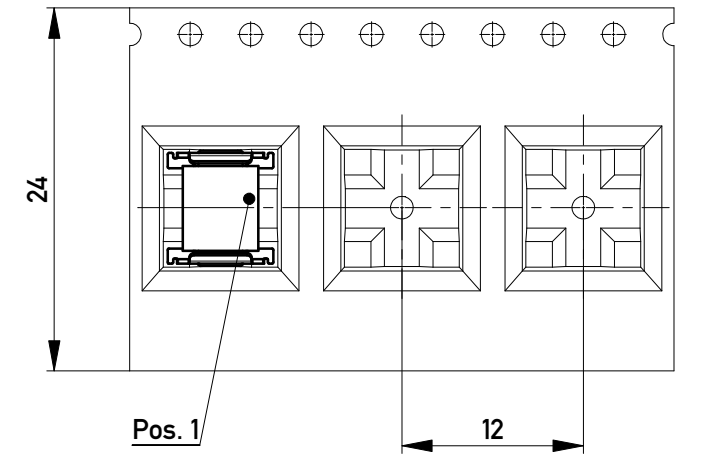
Kontaktbezeichnung  
contact marking



Verpackt in Gurtverpackung  
Tape on Reel Packaging  
Verpackungseinheit: 650 Stück  
Packaging unit: 650 pcs



Abspulrichtung - Reel off Direction



Information: vergrößerte Löt pads - enlarged solder pads		Tolerances		Scale	5:1
All rights reserved. Only for Information. To ensure that this is the latest version of this drawing, please contact one of the ERNI companies before using.		Subject to modification without prior notice. Drawing will not be updated.		Designation M 1,27 SRC P, 2-polig BA1	
Copyright by ERNI GmbH Proprietary notice pursuant to ISO 16016 to be observed.		www.ERNI.com		101101140001	
d	08.04.2013			K	
Index	Date			A3	
				Class	SRCP