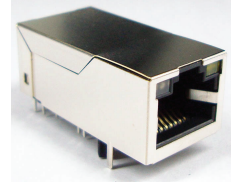


RJ45 10/100 Base-T Single Port, PoE+, w/ LEDs, Ext Temp

ARJ-199

RoHS/RoHS II Compliant



16.60 x 13.50 x 32.60mm

FEATURES:

- Compliant with IEEE802.3 standard
- High performance for maximum EMI suppression
- 350μH minimum OCL with 8mA bias current
- RoHS peak wave solder temperature 260°C

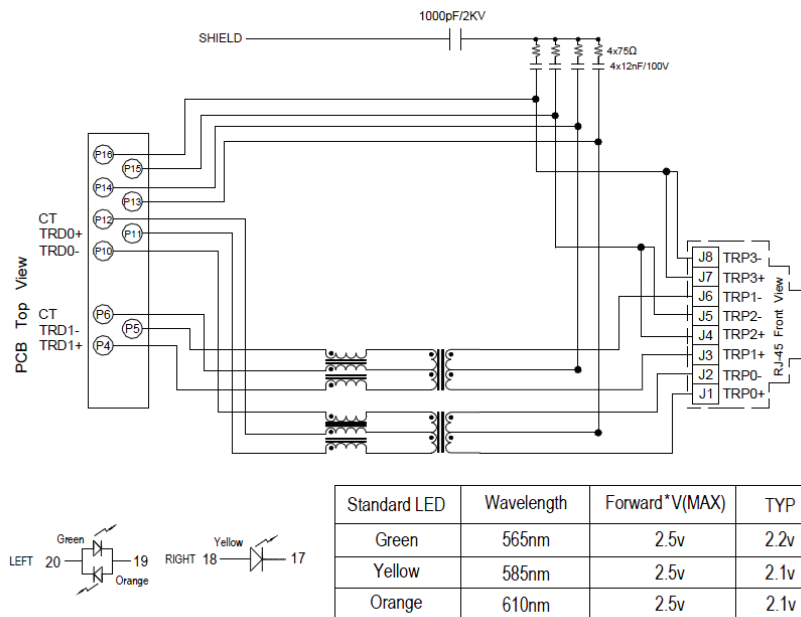
APPLICATIONS:

- Support 10/100 Base-T application with Bi-Color LEDs
- PoE+ with Extended Temperature (-40°C~85°C)
- Network Interface Cards(NIC), Ethernet Switch, Servers, Access Point Routers
- Suitable CAT 3, 5e & 6 cable and UTP
- Provides signal conditioning, EMI suppression and signal isolation

STANDARD SPECIFICATIONS

Parameters	Minimum	Typical	Maximum	Units	Notes
Operating Temperature	-40		+85	°C	
Storage Temperature	-40		+85	°C	
Turn Ratio (± 5%)	1CT:1CT				Tx
	1CT:1CT				Rx
Inductance (OCL)	350			μH	100KHz/0.1V@8mA
Insertion Loss			-1.0	dB	1-100MHz
Return Loss	-20			dB	1-10MHz
	-16				30MHz
	-12				60-80MHz
Cross Talk	-40			dB	1-10MHz
	-35				32-65MHz
	-30				65-100MHz
CMR	-30			dB	1-125MHz
	-20				125-500MHz
PoE Current Capacity		720		mA	@ 57V
Hi-Pot	1500Vrms/0.5mA/2Sec				Pri to Sec

SCHEMATICS



ABRACON IS
ISO 9001:2008
CERTIFIED

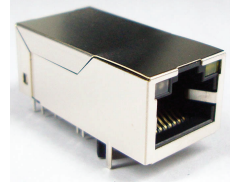


2 Faraday, Suite# B | Irvine | CA 92618 **Revised: 10.20.15**
Ph. 949.546.8000 | Fax. 949.546.8001
Visit www.abracon.com for Terms and Conditions of Sale

RJ45 10/100 Base-T Single Port, PoE+, w/ LEDs, Ext Temp

ARJ-199

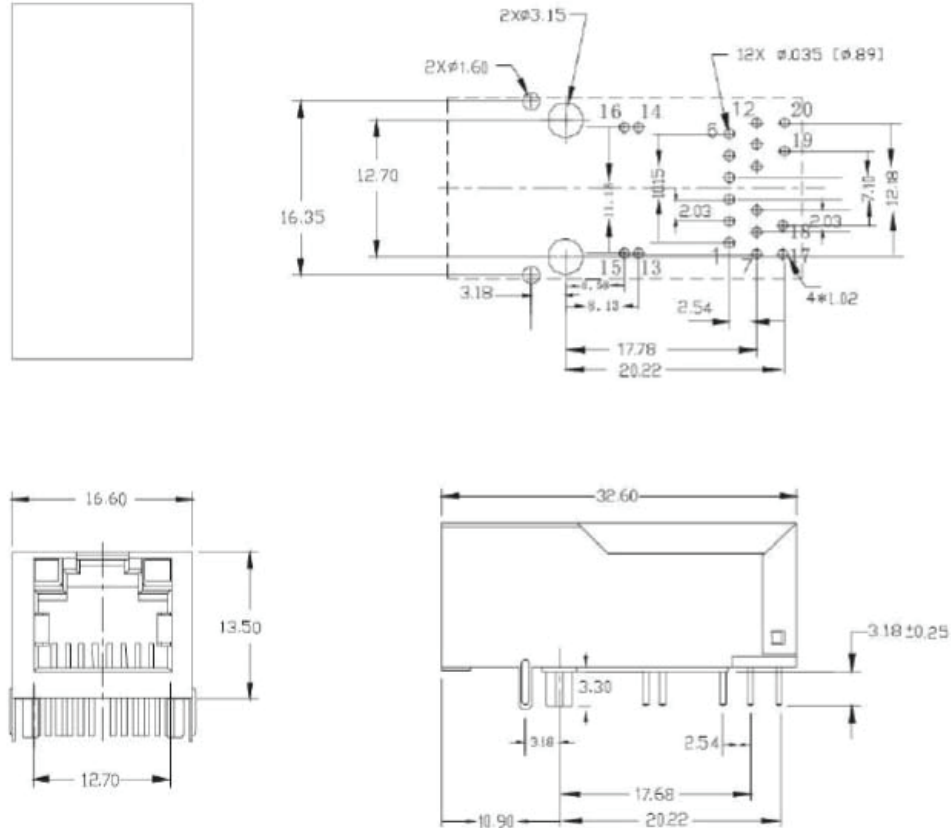
RoHS/RoHS II Compliant



16.60 x 13.50 x 32.60mm

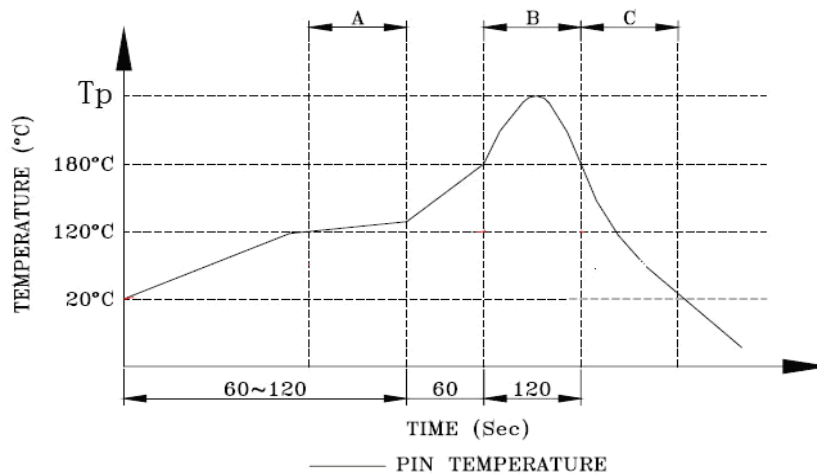
MECHANICAL DIMENSIONS

Recommended Land Pattern (Component side)



Dimensions: mm (Unless otherwise specified, all tolerances are ±0.25)

WAVE SOLDERING PROFILE



A. Preheating B. Soldering C. Gradual Cooling

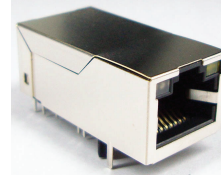
Peak temperature (Tp) : 250± 10°C

Peak temperature (Tp) time : 5sec max

RJ45 10/100 Base-T Single Port, PoE+, w/ LEDs, Ext Temp

ARJ-199

RoHS/RoHS II Compliant

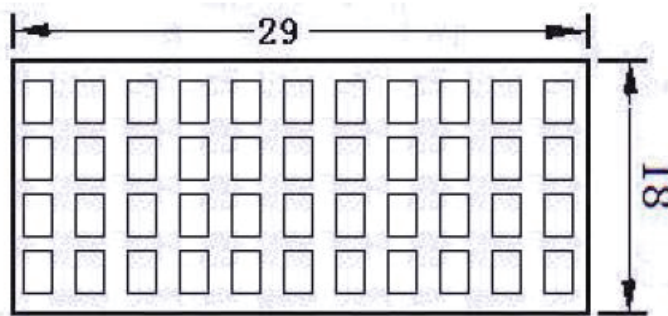


16.60 x 13.50 x 32.60mm

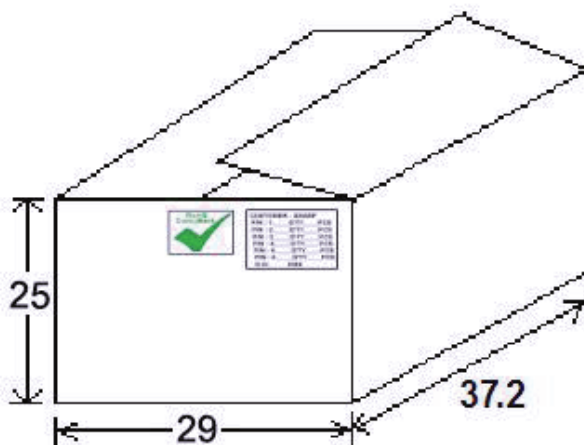
PACKING:

Packing: (40 pcs/tray) MOQ = 5,000pcs
Weight: 9.0 grams / pcs

Packaging Material: PET



Outer carton unit (optional): 800 pcs/ 20 Trays/box



Dimensions: cm

ATTENTION: Abracon Corporation's products are COTS – Commercial-Off-The-Shelf products; suitable for Commercial, Industrial and, where designated, Automotive Applications. Abracon's products are not specifically designed for Military, Aviation, Aerospace, Life-dependant Medical applications or any application requiring high reliability where component failure could result in loss of life and/or property. For applications requiring high reliability and/or presenting an extreme operating environment, written consent and authorization from Abracon Corporation is required. Please contact Abracon Corporation for more information.

ABRACON IS
ISO 9001:2008
CERTIFIED



2 Faraday, Suite# B | Irvine | CA 92618 **Revised: 10.20.15**
Ph. 949.546.8000 | Fax. 949.546.8001
Visit www.abracon.com for Terms and Conditions of Sale